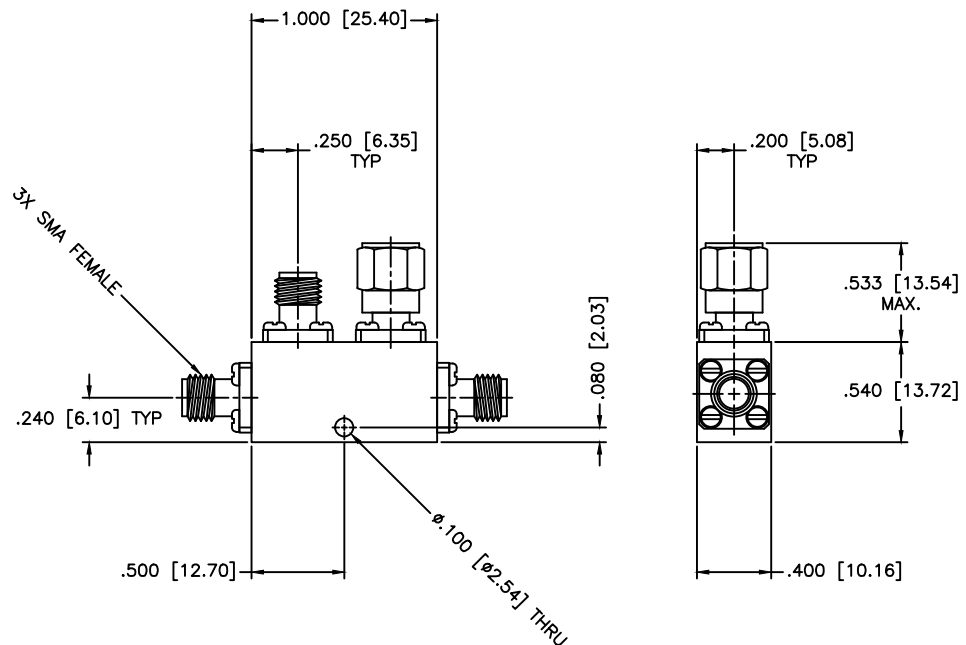


REVISIONS				
ZONE	REV	DESCRIPTION	DATE	APPROVED



SPECIFICATIONS

- Frequency Range: 7–18 GHz
- Coupling: 30 ± 1.25 dB
- Frequency Sensitivity: ± 0.75 dB
- Insertion Loss: 0.5 dB Max.
- Directivity: 15 dB Min.
- VSWR: 1.40:1 Max.
- Power: 50W Avg, 2kW Peak

MATERIAL:		MCLI MICROWAVE COMMUNICATIONS LABORATORIES INC. 7255 30TH AVE. N. SAINT PETERSBURG, FL 33710 TEL: (727) 344-6254 FAX: (727) 381-6116 http://WWW.MCLI.COM	SCALE:	N/A
			SHEET:	N/A
		UNLESS OTHERWISE SPECIFIED: TOLERANCES IN (INCHES) OR [mm] (MILLIMETERS) FRACTIONS: $\pm 1/64$ DECIMALS: $\pm .01 \pm .005$ ANGLE: $\pm 1/2^\circ$	DRAWING TITLE: DIRECTIONAL COUPLER	
		PROPRIETARY NOTICE: THE INFORMATION IN THIS DRAWING IS PROPRIETARY AND SHALL NOT BE USED OR DISCLOSED WITHOUT WRITTEN PERMISSION FROM MICROWAVE COMMUNICATIONS LABORATORIES INC. (MCLI)	PART NO. CB5-30	
DRAWN: Paiboon Luekhamhan	DATE: 09-22-2010	THIRD ANGLE PROJECTION	CAGE CODE:	OD2L5
APPROVED: T. Nguyen	DATE: 09-22-2010		SIZE: A	REV: B
DO NOT SCALE THE DRAWING				