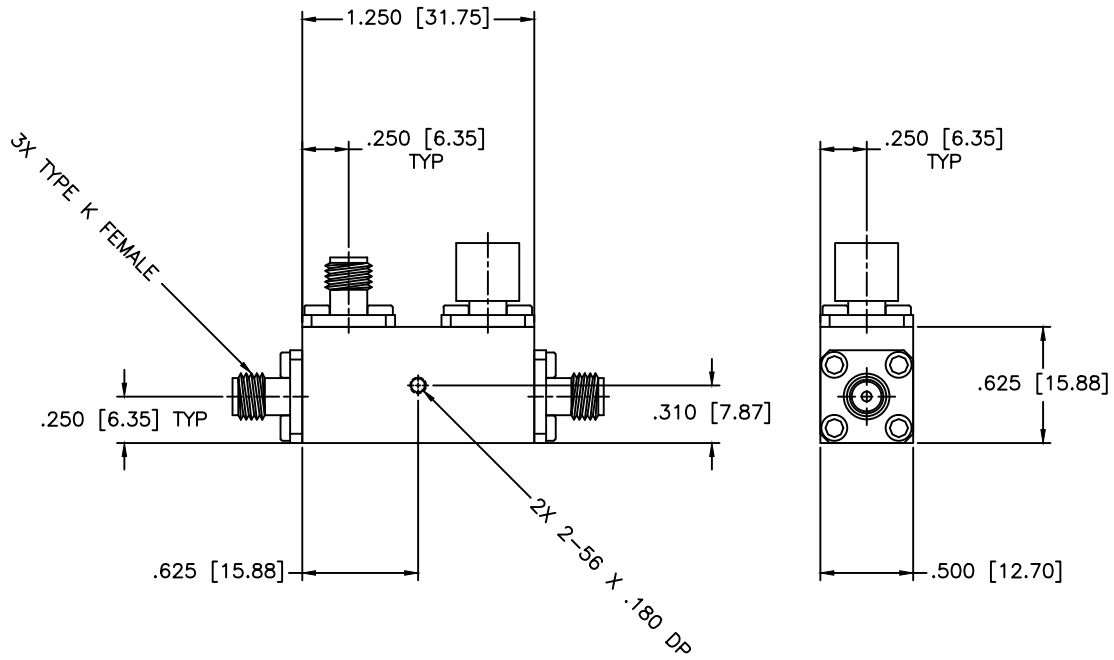


REVISIONS				
ZONE	REV	DESCRIPTION	DATE	APPROVED



**SPECIFICATIONS**

Frequency Range: 18–40 GHz  
 VSWR: 1.70:1 Max.  
 Coupling: 10dB  
 Insertion Loss: 1.7dB Max.  
 Directivity: 12dB Min.  
 Frequency Sensitivity: ±0.7dB  
 Operating Temperature: –32°C to +85°C

MATERIAL:		MICROWAVE COMMUNICATIONS LABORATORIES INC. 7255 30TH AVE. N. SAINT PETERSBURG, FL 33710 TEL: (727) 344-6254 FAX: (727) 381-6116 http://WWW.MCLI.COM	SCALE:	N/A		
			SHEET:	N/A		
		UNLESS OTHERWISE SPECIFIED: TOLERANCES IN (INCHES) OR [mm] (MILLIMETERS) FRACTIONS: ± 1/64 DECIMALS: ±.01 ±.005 ANGLE: ±1/2°	DRAWING TITLE:			
			DIRECTIONAL COUPLER, ALODIN COATING			
			PART NO.			
			CB49-10-AL			
DRAWN:	DATE:	PROPRIETARY NOTICE: THE INFORMATION IN THIS DRAWING IS PROPRIETARY AND SHALL NOT BE USED OR DISCLOSED WITHOUT WRITTEN PERMISSION FROM MICROWAVE COMMUNICATIONS LABORATORIES INC. (MCLI)	CAGE CODE:	SIZE:	REV:	DWG NO.
Paiboon Luekhamhan	02-12-2013		OD2L5	A	N/A	86217
APPROVED:	DATE:	THIRD ANGLE PROJECTION	DO NOT SCALE THE DRAWING			
T. Nguyen	02-12-2013					