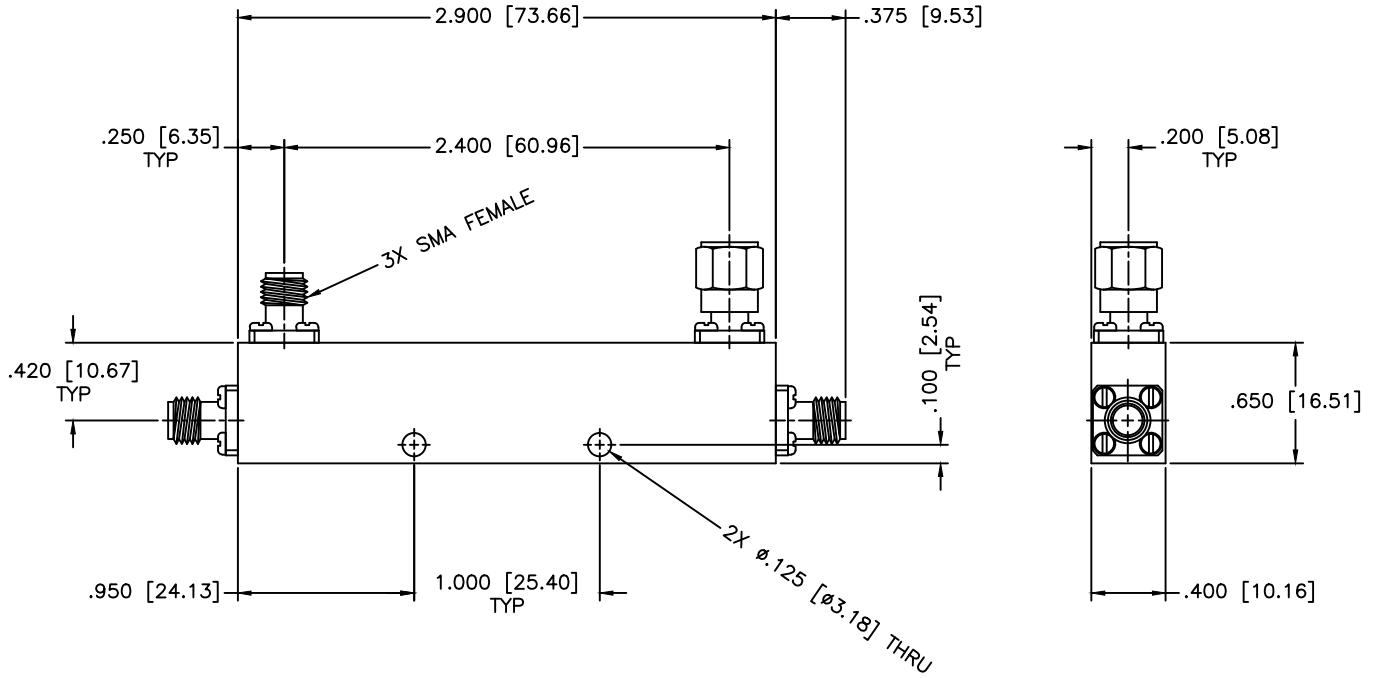


REVISIONS				
ZONE	REV	DESCRIPTION	DATE	APPROVED



**SPECIFICATIONS**

Frequency Range: 2–26.5 GHz  
 VSWR: 1.65:1 Max.  
 Coupling: 20±1.0dB  
 Insertion Loss: 1.50dB Max.  
 Directivity: 14dB Min.  
 Power Incident, Reflected: 20W, 5W, 3kW Peak  
 Frequency Sensitivity: ±0.6dB

MATERIAL:		MICROWAVE COMMUNICATIONS LABORATORIES INC. 7255 30TH AVE. N. SAINT PETERSBURG, FL 33710 TEL: (727) 344-6254 FAX: (727) 381-6116 http://WWW.MCLI.COM	SCALE:	N/A
			SHEET:	N/A
UNLESS OTHERWISE SPECIFIED: TOLERANCES IN (INCHES) OR [mm] (MILLIMETERS) FRACTIONS: ± 1/64 DECIMALS: ±.01 ±.005 ANGLE: ±1/2°		DRAWING TITLE:		
		DIRECTIONAL COUPLER		
DRAWN:		PART NO.		
Paiboon Luexhamhan		CB43-20		
DATE:		CAGE CODE:	SIZE:	REV:
08-27-2001		OD2L5	A	A
APPROVED:		DO NOT SCALE THE DRAWING		DWG NO.
T. Nguyen				84765
DATE:		THIRD ANGLE PROJECTION		
08-27-2001				