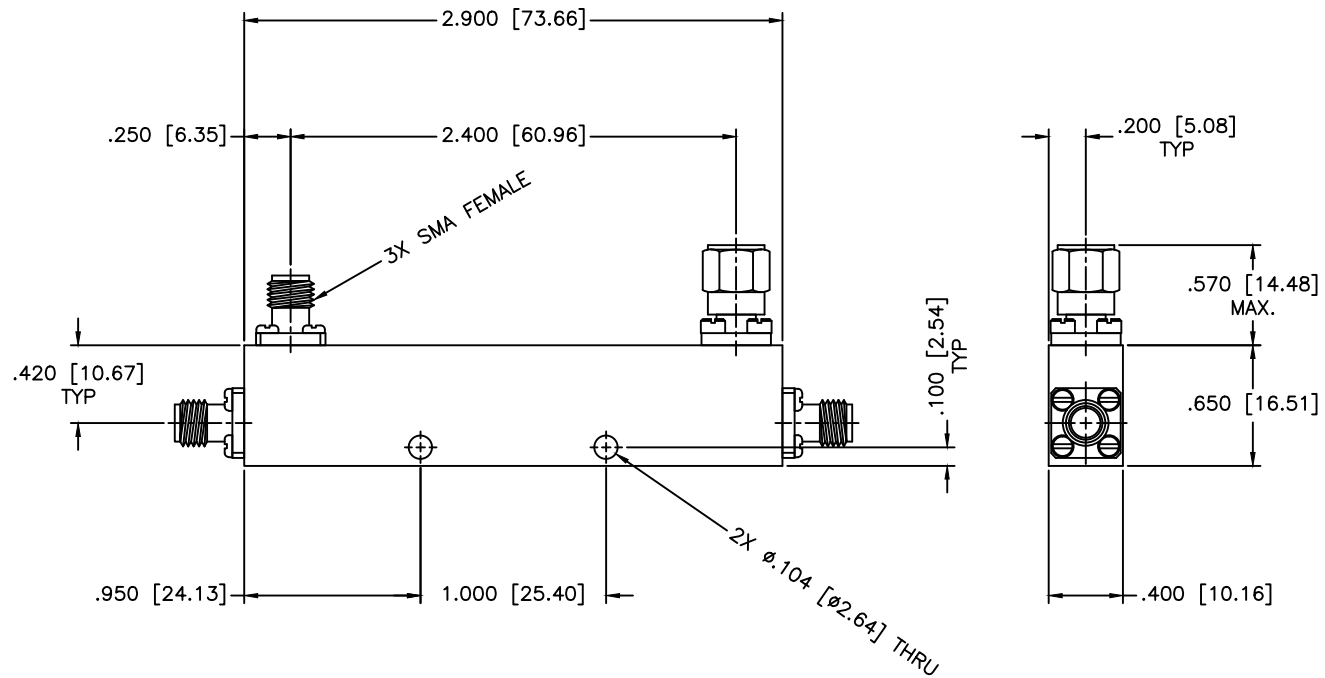


REVISIONS				
ZONE	REV	DESCRIPTION	DATE	APPROVED



SPECIFICATIONS

Frequency Range: 4–18 GHz
 VSWR: 1.65:1 Max.
 Coupling: 20±1.0dB
 Insertion Loss: 1.20dB Max.
 Directivity: 14dB Min.
 Power Incident, Reflected: 20W, 5W, 3kW Peak
 Frequency Sensitivity: ±0.75dB

MATERIAL:			MICROWAVE COMMUNICATIONS LABORATORIES INC. 7255 30TH AVE. N. SAINT PETERSBURG, FL 33710 TEL: (727) 344-6254 FAX: (727) 381-6116 http://WWW.MCLI.COM		SCALE: N/A
			UNLESS OTHERWISE SPECIFIED: TOLERANCES IN (INCHES) OR [mm] (MILLIMETERS) FRACTIONS: ± 1/64 DECIMALS: ±.01 ±.005 ANGLE: ±1/2°		SHEET: N/A
DRAWN: Paiboon Luekhamhan		DATE: 08-27-2001		DRAWING TITLE: DIRECTIONAL COUPLER	
APPROVED: T. Nguyen		DATE: 08-27-2001		PART NO. CB40-20	
		PROPRIETARY NOTICE: THE INFORMATION IN THIS DRAWING IS PROPRIETARY AND SHALL NOT BE USED OR DISCLOSED WITHOUT WRITTEN PERMISSION FROM MICROWAVE COMMUNICATIONS LABORATORIES INC. (MCLI)		CAGE CODE: OD2L5	SIZE: A REV: N/A DWG NO. 82951
		THIRD ANGLE PROJECTION 		DO NOT SCALE THE DRAWING	