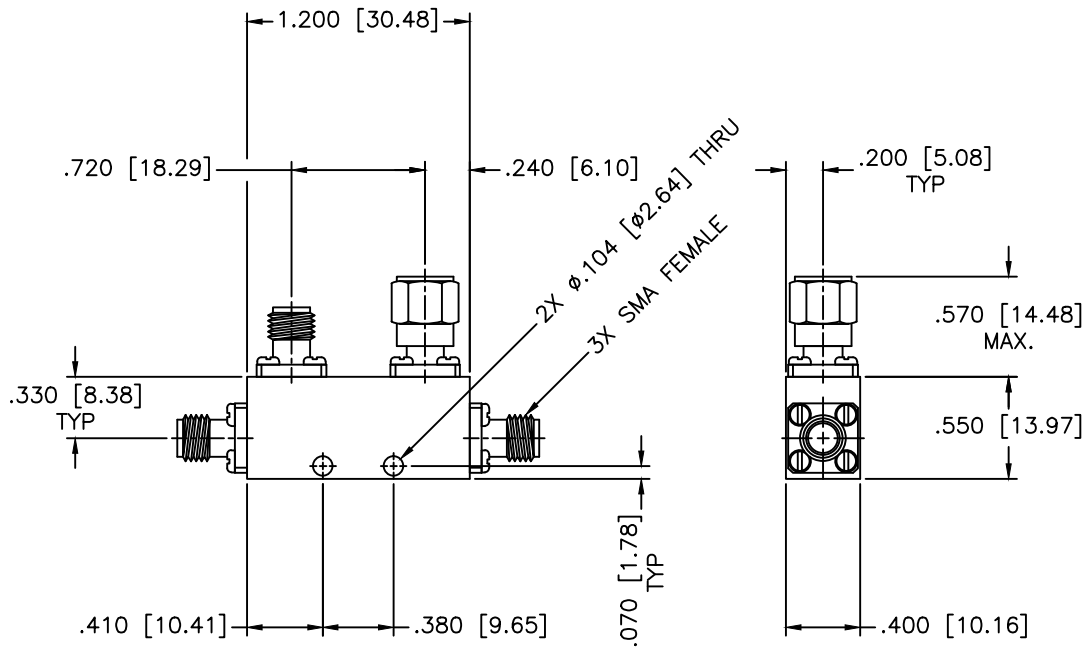


REVISIONS				
ZONE	REV	DESCRIPTION	DATE	APPROVED



**SPECIFICATIONS**

- Frequency Range: 4.0–12.4 GHz
- Coupling: 6±1.0dB
- Insertion Loss: 2.2dB Max.
- Frequency Sensitivity: ±0.3dB
- Directivity: 17dB Min.
- VSWR: 1.30:1 Max.
- Power Incident, Reflected: 50W, 2W, 3kW Peak

MATERIAL:			MICROWAVE COMMUNICATIONS LABORATORIES INC. 7255 30TH AVE. N. SAINT PETERSBURG, FL 33710 TEL: (727) 344-6254 FAX: (727) 381-6116 http://WWW.MCLI.COM		SCALE:	N/A
			UNLESS OTHERWISE SPECIFIED: TOLERANCES IN (INCHES) OR [mm] (MILLIMETERS) FRACTIONS: ± 1/64 DECIMALS: ±.01 ±.005 ANGLE: ±1/2°		DRAWING TITLE:	DIRECTIONAL COUPLER
DRAWN:		DATE:		PART NO.		CB4-6
Paiboon Luekhamhan		08-27-2001		CAGE CODE:		
APPROVED:		DATE:		SIZE:	REV:	DWG NO.
T. Nguyen		08-27-2001		A	N/A	81822
		PROPRIETARY NOTICE: THE INFORMATION IN THIS DRAWING IS PROPRIETARY AND SHALL NOT BE USED OR DISCLOSED WITHOUT WRITTEN PERMISSION FROM MICROWAVE COMMUNICATIONS LABORATORIES INC. (MCLI)		DO NOT SCALE THE DRAWING		
		THIRD ANGLE PROJECTION		OD2L5		