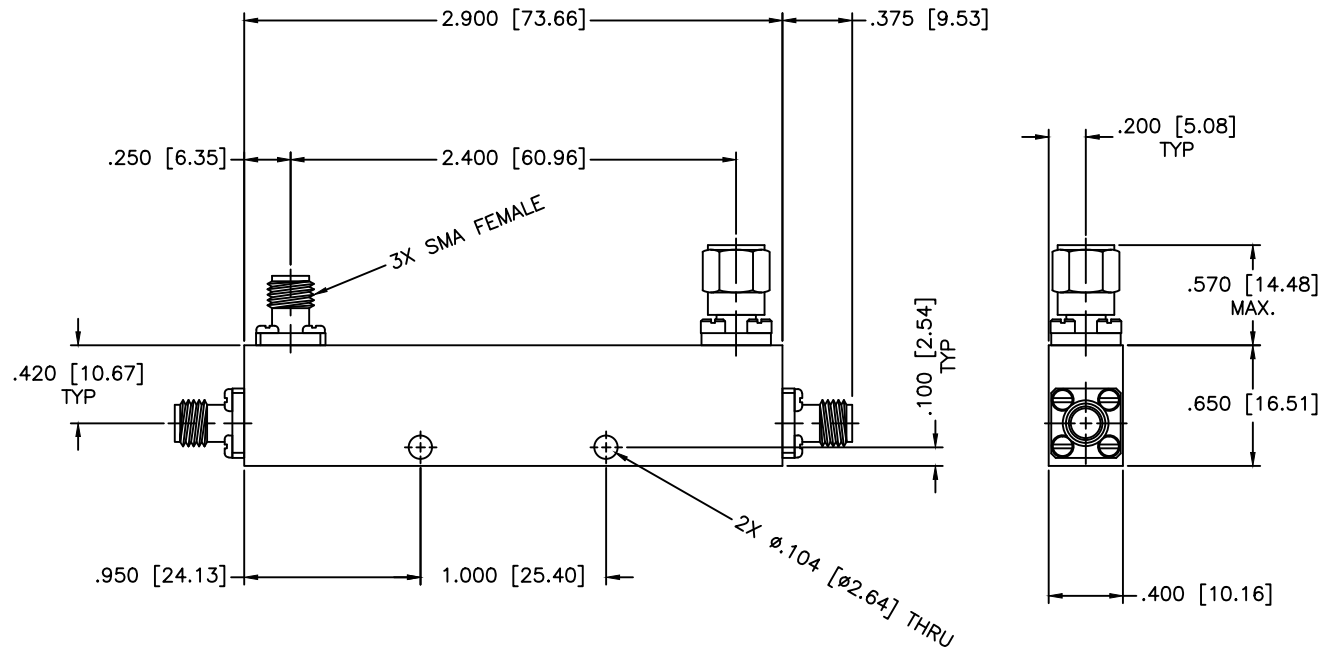


REVISIONS				
ZONE	REV	DESCRIPTION	DATE	APPROVED



SPECIFICATIONS

Frequency Range: 1–4 GHz
 VSWR: 1.65:1 Max.
 Coupling: 20±1.0dB
 Insertion Loss: 1.2dB Max.
 Directivity: 14dB Min.
 Power Incident, Reflected: 20W, 5W, 3kW Peak
 Frequency Sensitivity: ±0.75dB

MATERIAL:			MICROWAVE COMMUNICATIONS LABORATORIES INC. 7255 30TH AVE. N. SAINT PETERSBURG, FL 33710 TEL: (727) 344-6254 FAX: (727) 381-6116 http://WWW.MCLI.COM		SCALE:	N/A	
UNLESS OTHERWISE SPECIFIED: TOLERANCES IN (INCHES) OR [mm] (MILLIMETERS) FRACTIONS: ± 1/64 DECIMALS: ±.01 ±.005 ANGLE: ±1/2°			DRAWING TITLE:		DIRECTIONAL COUPLER		
DRAWN:		DATE:		PART NO.		CB38-20	
Paiboon Luethamhan 03-06-2007		PROPRIETARY NOTICE: THE INFORMATION IN THIS DRAWING IS PROPRIETARY AND SHALL NOT BE USED OR DISCLOSED WITHOUT WRITTEN PERMISSION FROM MICROWAVE COMMUNICATIONS LABORATORIES INC. (MCLI)		CAGE CODE:	SIZE:	REV:	DWG NO.
APPROVED: T. Nguyen 03-06-2007		THIRD ANGLE PROJECTION 		OD2L5	A	N/A	82791
							DO NOT SCALE THE DRAWING