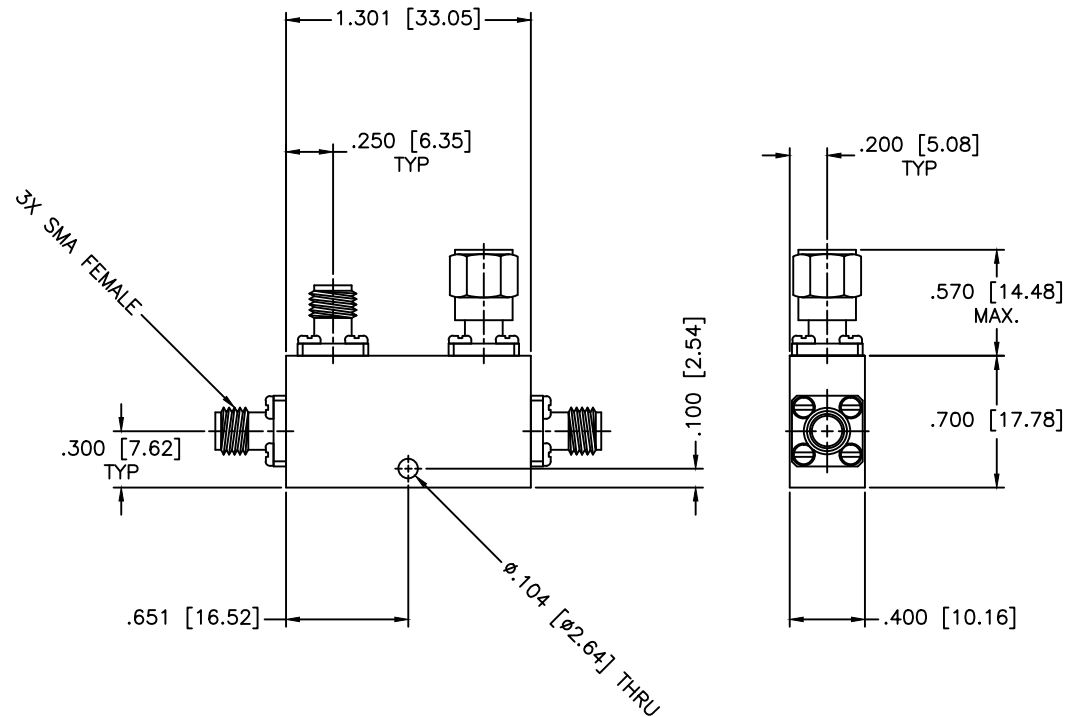


REVISIONS				
ZONE	REV	DESCRIPTION	Date	APPROVED



**SPECIFICATIONS**

Frequency Range: 4–8 GHz  
 Coupling:  $20 \pm 1.0$  dB  
 Frequency Sensitivity:  $\pm 0.75$  dB  
 Insertion Loss: 1.20 dB Max.  
 Directivity: 20 dB Min.  
 VSWR: 1.30:1 Max.  
 Power Incident, Reflected: 50W, 50W, 3kW Peak

MATERIAL:		<b>MCLI</b> MICROWAVE COMMUNICATIONS LABORATORIES INC. 7255 30TH AVE. N. SAINT PETERSBURG, FL 33710 TEL: (727) 344-6254 FAX: (727) 381-6116 <a href="http://WWW.MCLI.COM">http://WWW.MCLI.COM</a>	SCALE:	N/A
			SHEET:	N/A
		UNLESS OTHERWISE SPECIFIED: TOLERANCES IN (INCHES) OR [mm] (MILLIMETERS) FRACTIONS: $\pm 1/64$ DECIMALS: $\pm .01 \pm .005$ ANGLE: $\pm 1/2^\circ$	DRAWING TITLE: DIRECTIONAL COUPLER	
		PROPRIETARY NOTICE: THE INFORMATION IN THIS DRAWING IS PROPRIETARY AND SHALL NOT BE USED OR DISCLOSED WITHOUT WRITTEN PERMISSION FROM MICROWAVE COMMUNICATIONS LABORATORIES INC. (MCLI)	PART NO. CB34-20	
DRAWN:	DATE:	THIRD ANGLE PROJECTION	CAGE CODE:	SIZE:
Paiboon Luexhamhan	07-28-1998		OD2L5	A
APPROVED:	DATE:		REV:	DWG. NO.
T. Nguyen	07-28-1998		A	81088
			DO NOT SCALE THE DRAWING	