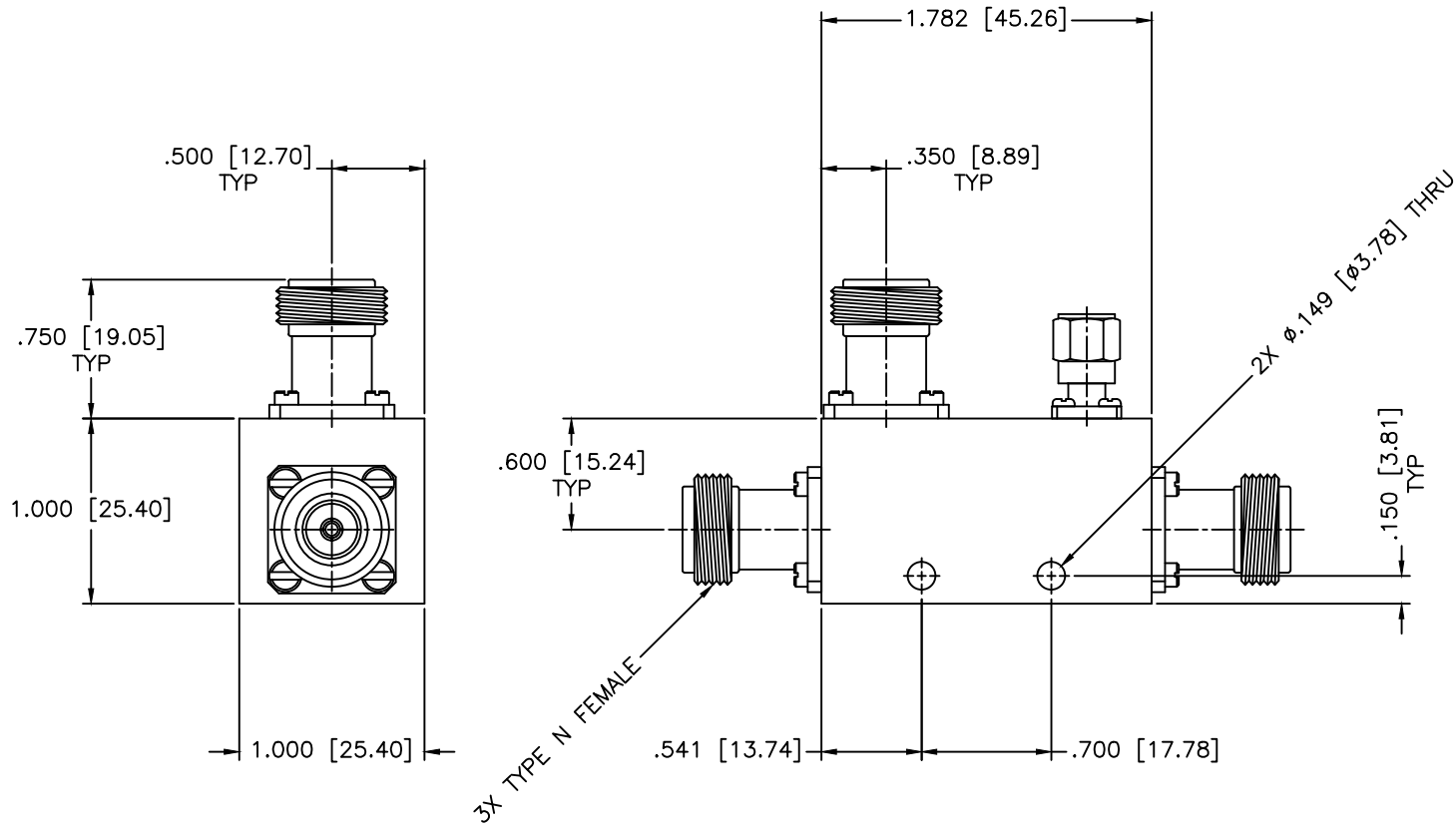


REVISIONS				
ZONE	REV	DESCRIPTION	DATE	APPROVED



**SPECIFICATIONS**

Frequency Range: 2–8 GHz  
 Coupling: 6±1.25dB  
 Insertion Loss: 0.5dB Max.  
 Frequency Sensitivity: ±0.75dB  
 Directivity: 20dB Min.  
 VSWR: 1.35:1 Max.  
 Power: 5W Avg, 3kW Peak

MATERIAL:		MICROWAVE COMMUNICATIONS LABORATORIES INC. 7255 30TH AVE. N. SAINT PETERSBURG, FL 33710 TEL: (727) 344-6254 FAX: (727) 381-6116 http://WWW.MCLI.COM	SCALE:	N/A
			SHEET:	N/A
		UNLESS OTHERWISE SPECIFIED: TOLERANCES IN (INCHES) OR [mm] (MILLIMETERS) FRACTIONS: ± 1/64 DECIMALS: ±.01 ±.008 ANGLE: ±1/2°	DRAWING TITLE: <b>DIRECTIONAL COUPLER</b>	
		PROPRIETARY NOTICE: THE INFORMATION IN THIS DRAWING IS PROPRIETARY AND SHALL NOT BE USED OR DISCLOSED WITHOUT WRITTEN PERMISSION FROM MICROWAVE COMMUNICATIONS LABORATORIES INC. (MCLI)	PART NO. <b>CB3-6/NF</b>	
DRAWN: Paiboon Luekhamhan	DATE: 06-23-2008	THIRD ANGLE PROJECTION 	CAGE CODE:	SIZE: A
APPROVED: T. Nguyen	DATE: 06-23-2008		OD2L5	REV: A
			DWG NO. <b>80505</b>	
DO NOT SCALE THE DRAWING				