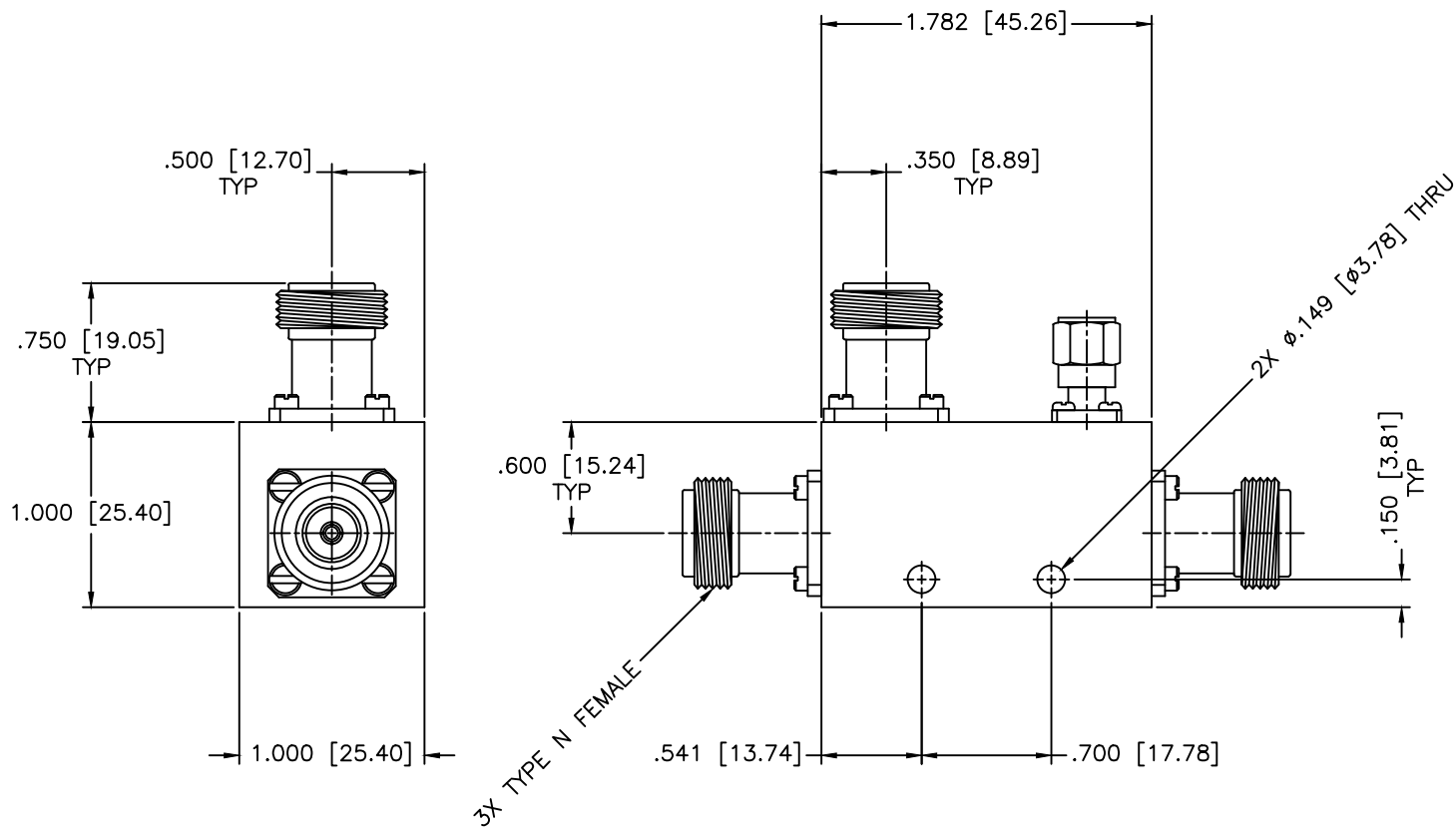


REVISIONS				
ZONE	REV	DESCRIPTION	DATE	APPROVED



**SPECIFICATIONS**

Frequency Range: 2–8 GHz  
 Coupling: 30±1.25dB  
 Insertion Loss: 0.5dB Max.  
 Frequency Sensitivity: ±0.75dB  
 Directivity: 20dB Min.  
 VSWR: 1.35:1 Max.  
 Power: 50W Avg, 3kW Peak

MATERIAL:			MICROWAVE COMMUNICATIONS LABORATORIES INC. 7255 30TH AVE. N. SAINT PETERSBURG, FL 33710 TEL: (727) 344-6254 FAX: (727) 381-6116 http://WWW.MCLI.COM		SCALE:	N/A
			UNLESS OTHERWISE SPECIFIED: TOLERANCES IN (INCHES) OR [mm] (MILLIMETERS) FRACTIONS: ± 1/64 DECIMALS: ±.01 ±.008 ANGLE: ±1/2°		DRAWING TITLE:	DIRECTIONAL COUPLER
DRAWN:		DATE:		PART NO.		DWG NO.
Paiboon Luekhamhan		06-23-2008		CB3-30/NF		
APPROVED:		DATE:		CAGE CODE:	SIZE:	REV:
T. Nguyen		06-23-2008		OD2L5	A	A
				DO NOT SCALE THE DRAWING		83662