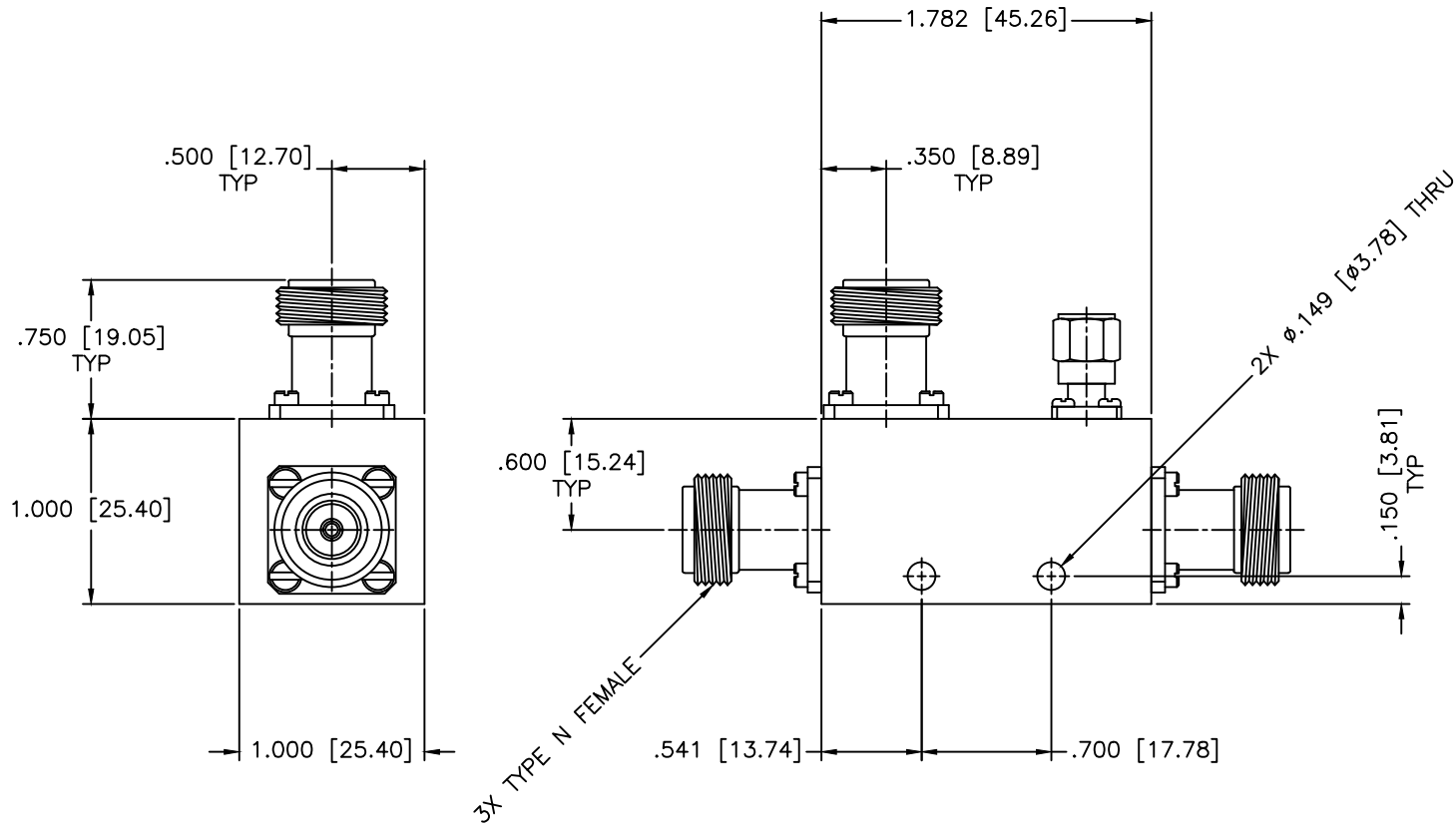


REVISIONS				
ZONE	REV	DESCRIPTION	DATE	APPROVED



**SPECIFICATIONS**

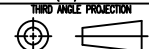
- Frequency Range: 2–8 GHz
- Coupling: 20±1.25dB
- Insertion Loss: 0.5dB Max.
- Frequency Sensitivity: ±0.75dB
- Directivity: 20dB Min.
- VSWR: 1.35:1 Max.
- Power: 50W Avg, 3kW Peak

MATERIAL:			MICROWAVE COMMUNICATIONS LABORATORIES INC. 7255 30TH AVE. N. SAINT PETERSBURG, FL 33710 TEL: (727) 344-6254 FAX: (727) 381-6116 http://WWW.MCLI.COM		SCALE:	N/A
			UNLESS OTHERWISE SPECIFIED: TOLERANCES IN (INCHES) OR [mm] (MILLIMETERS) FRACTIONS: ± 1/64 DECIMALS: ±.01 ±.008 ANGLE: ±1/2°		DRAWING TITLE:	DIRECTIONAL COUPLER
DRAWN:		PART NO.		CB3-20/NF		
DATE:		CAGE CODE:		SIZE:	REV:	DWG NO.
Paiboon Luekhamhan		06-23-2008		OD2L5	A	A
APPROVED:		DATE:		DO NOT SCALE THE DRAWING		
T. Nguyen		06-23-2008		83661		



UNLESS OTHERWISE SPECIFIED:  
 TOLERANCES  
 IN (INCHES) OR [mm] (MILLIMETERS)  
 FRACTIONS: ± 1/64  
 DECIMALS: ±.01 ±.008  
 ANGLE: ±1/2°

PROPRIETARY NOTICE:  
 THE INFORMATION IN THIS DRAWING IS PROPRIETARY  
 AND SHALL NOT BE USED OR DISCLOSED WITHOUT WRITTEN  
 PERMISSION FROM MICROWAVE COMMUNICATIONS  
 LABORATORIES INC. (MCLI)



DRAWING TITLE:  
 DIRECTIONAL COUPLER

PART NO.  
 CB3-20/NF

CAGE CODE: OD2L5  
 SIZE: A  
 REV: A  
 DWG NO.: 83661  
 DO NOT SCALE THE DRAWING