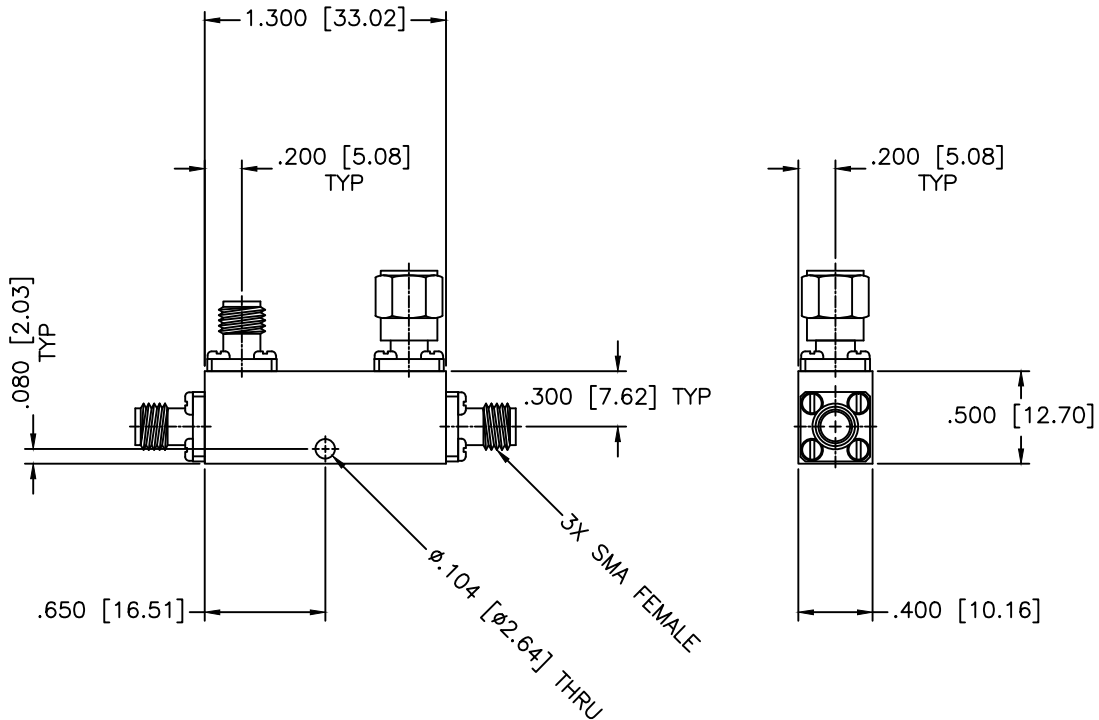


REVISIONS				
ZONE	REV	DESCRIPTION	DATE	APPROVED



SPECIFICATIONS

- Frequency Range: 2–8 GHz
- Coupling: 20 ± 1.0 dB
- Insertion Loss: 0.45 dB Max.
- Frequency Sensitivity: ± 0.4 dB
- Directivity: 20 dB Min.
- VSWR: 1.25:1 Max.
- Power: 50W, 3kW Peak
- RoHS compliant product

MATERIAL:		MICROWAVE COMMUNICATIONS LABORATORIES INC. 7255 30TH AVE. N. SAINT PETERSBURG, FL 33710 TEL: (727) 344-6254 FAX: (727) 381-6116 http://WWW.MCLI.COM	SCALE:	N/A
			SHEET:	N/A
UNLESS OTHERWISE SPECIFIED: TOLERANCES IN (INCHES) OR [mm] (MILLIMETERS) FRACTIONS: $\pm 1/64$ DECIMALS: $\pm .02 \pm .010$ ANGLE: $\pm 1/2^\circ$		DRAWING TITLE: DIRECTIONAL COUPLER		
DRAWN: Paiboon Luekhamhan		PART NO. CB3-20		
DATE: 11-18-1997		CAGE CODE: OD2L5		
APPROVED: T. Nguyen		DATE: 11-18-1997		
THIRD ANGLE PROJECTION		SIZE: A		
		REV: N/A		
		DWG NO. 80511		
		DO NOT SCALE THE DRAWING		