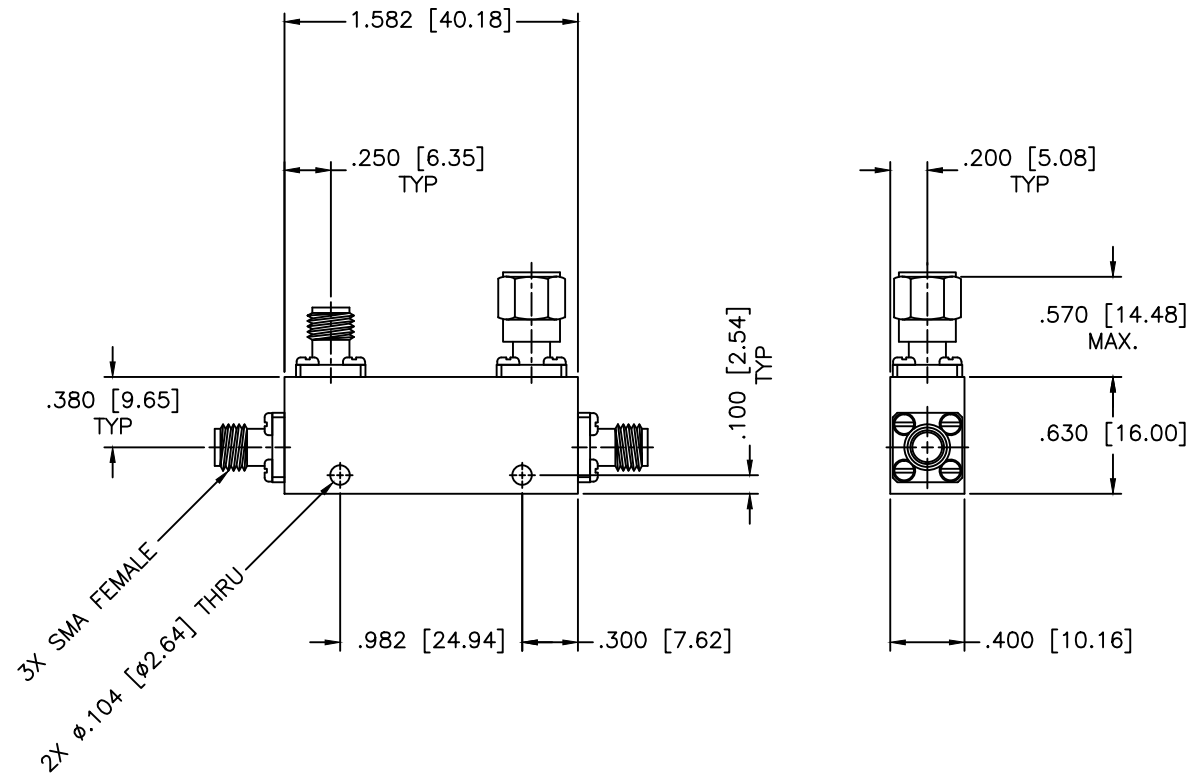


REVISIONS				
ZONE	REV	DESCRIPTION	Date	APPROVED



SPECIFICATIONS

Frequency Range: 2–8 GHz
 Coupling: 20±1.0dB
 Insertion Loss: 0.45dB Max.
 Frequency Sensitivity: ±0.4dB
 Directivity: 20dB Min.
 VSWR: 1.25:1 Max.
 Power: 50W, 3kW Peak
 Operating Temperature: -54°C to +85°C

MATERIAL:		MCLI MICROWAVE COMMUNICATIONS LABORATORIES INC. 7255 30TH AVE. N. SAINT PETERSBURG, FL 33710 TEL: (727) 344-6254 FAX: (727) 381-6116 http://www.mcli.com	SCALE: N/A
			SHEET: N/A
UNLESS OTHERWISE SPECIFIED: TOLERANCES IN (INCHES) OR (mm) (MILLIMETERS) FRACTIONS: ± 1/64 DECIMALS: ±.01 ±.005 ANGLE: ±1/2°		DRAWING TITLE: DIRECTIONAL COUPLER, ALODINE COATING	
PART NO. CB3-20-AL			
DRAWN: Paiboon Luekhamhan	DATE: 02-04-2013	PROPERTY NOTICE: THE INFORMATION IN THIS DRAWING IS PROPRIETARY AND SHALL NOT BE USED OR DISCLOSED WITHOUT WRITTEN PERMISSION FROM MICROWAVE COMMUNICATIONS LABORATORIES INC. (MCLI)	
APPROVED: T. Nguyen	DATE: 02-04-2013	THIRD ANGLE PROJECTION	
		CAGE CODE: OD2L5	SIZE: A
			REV: C
		DWG NO. 86213	
DO NOT SCALE THE DRAWING			