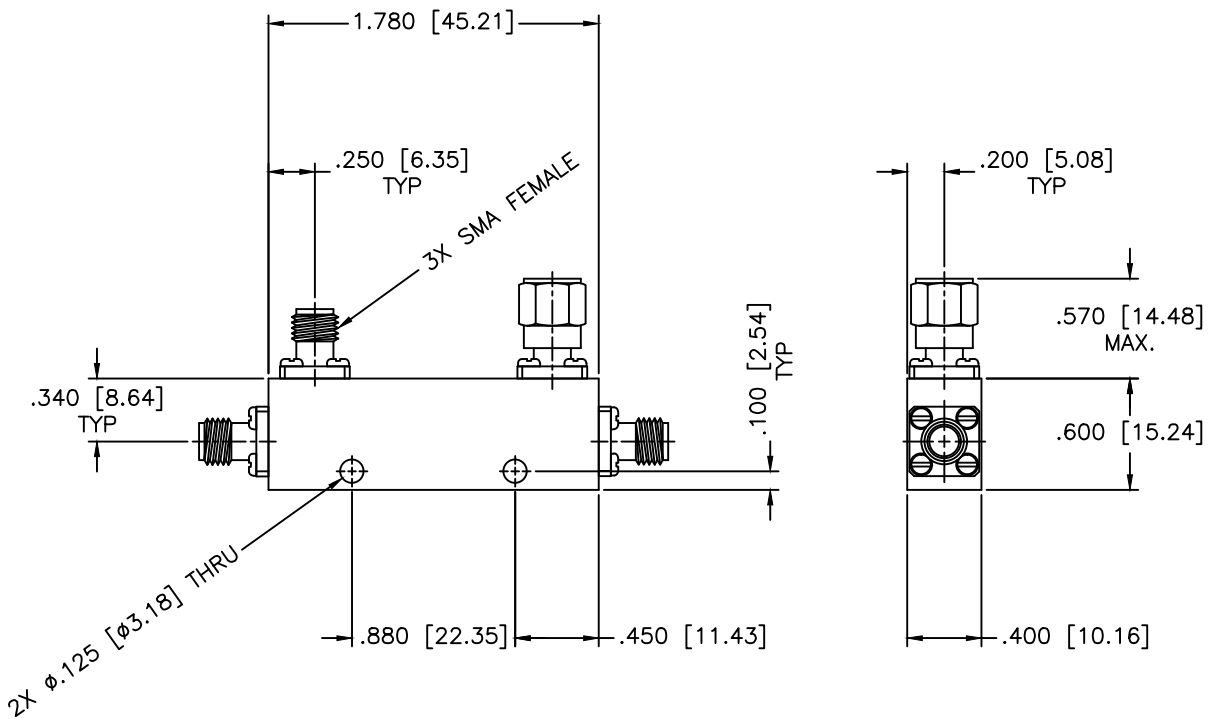


REVISIONS				
ZONE	REV	DESCRIPTION	DATE	APPROVED



SPECIFICATIONS

- Frequency Range: 2–8 GHz
- Coupling: 10±1.0dB
- Insertion Loss: 1.0dB Max.
- Frequency Sensitivity: ±0.5dB
- Directivity: 20dB Min.
- VSWR: 1.25:1 Max.
- Power Incident, Reflected: 50W, 5W, 3kW Peak

MATERIAL:			MICROWAVE COMMUNICATIONS LABORATORIES INC. 7255 30TH AVE. N. SAINT PETERSBURG, FL 33710 TEL: (727) 344-6254 FAX: (727) 381-6116 http://WWW.MCLI.COM		SCALE:	N/A	
			UNLESS OTHERWISE SPECIFIED: TOLERANCES IN (INCHES) OR (mm) (MILLIMETERS) FRACTIONS: ± 1/64 DECIMALS: ±.01 ±.005 ANGLE: ±1/2°		DRAWING TITLE:	DIRECTIONAL COUPLER	
DRAWN:		DATE:		PART NO.			CB3-10/S
Paiboon Luexhamhan		08-04-2011		CAGE CODE:			
APPROVED:		DATE:		SIZE:		REV:	DWG NO.
T. Nguyen		08-04-2011		A		N/A	82326
				OD2L5		DO NOT SCALE THE DRAWING	

