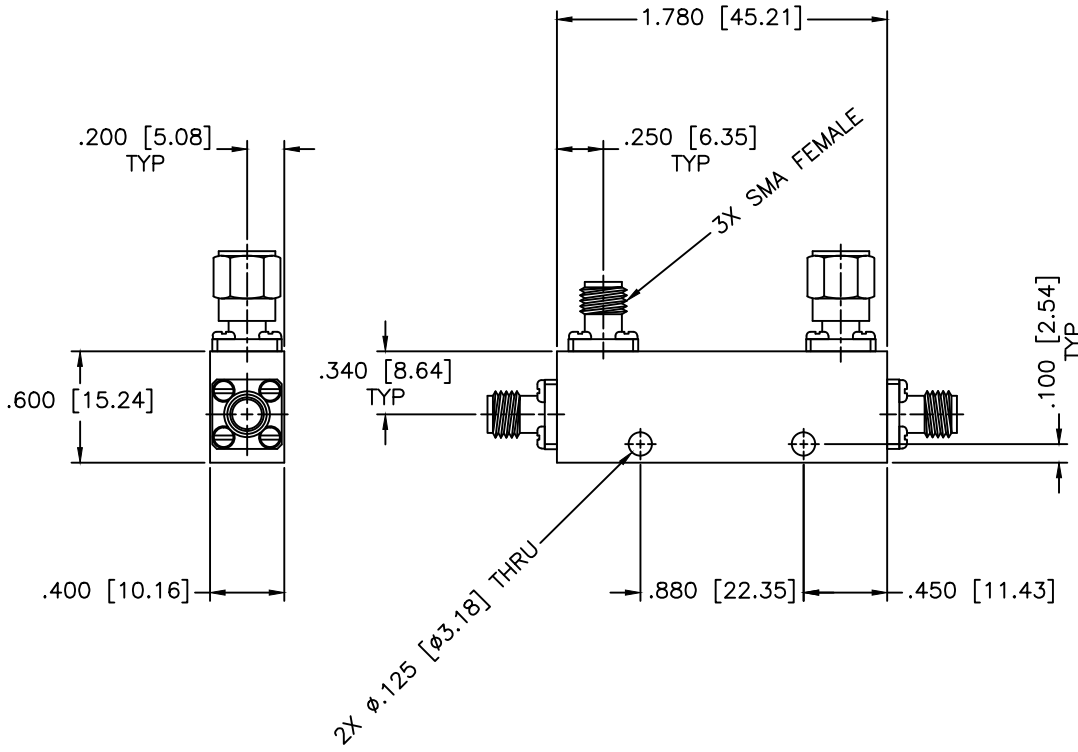


REVISIONS				
ZONE	REV	DESCRIPTION	DATE	APPROVED



SPECIFICATIONS

- Frequency Range: 2–8 GHz
- Coupling: 10±1.0dB
- Insertion Loss: 1.0dB Max.
- Frequency Sensitivity: ±0.3dB
- Directivity: 20dB Min.
- VSWR: 1.25:1 Max.
- Power: 10W Avg, 3kW Peak
- Operating Temperature: -54°C to +85°C

MATERIAL:		MCLI MICROWAVE COMMUNICATIONS LABORATORIES INC. 7255 30TH AVE. N. SAINT PETERSBURG, FL 33710 TEL: (727) 344-6254 FAX: (727) 381-6116 http://WWW.MCLI.COM	SCALE:	N/A
DRAWN: Paiboon Luekhmahon			DATE: 01-07-2016	SHEET:
APPROVED: T. Nguyen		DATE: 01-07-2016	DRAWING TITLE: DIRECTIONAL COUPLER, ALODINE COATING	
UNLESS OTHERWISE SPECIFIED: TOLERANCES IN (INCHES) OR [mm] (MILLIMETERS) FRACTIONS: ± 1/64 DECIMALS: ±.01 ±.005 ANGLE: ±1/2°		PART NO. CB3-10/S-AL		
PROPRIETARY NOTICE: THE INFORMATION IN THIS DRAWING IS PROPRIETARY AND SHALL NOT BE USED OR DISCLOSED WITHOUT WRITTEN PERMISSION FROM MICROWAVE COMMUNICATIONS LABORATORIES INC. (MCLI)		CAGE CODE: OD2L5	SIZE: A	REV: N/A
THIRD ANGLE PROJECTION		DO NOT SCALE THE DRAWING		DWG NO. 86601