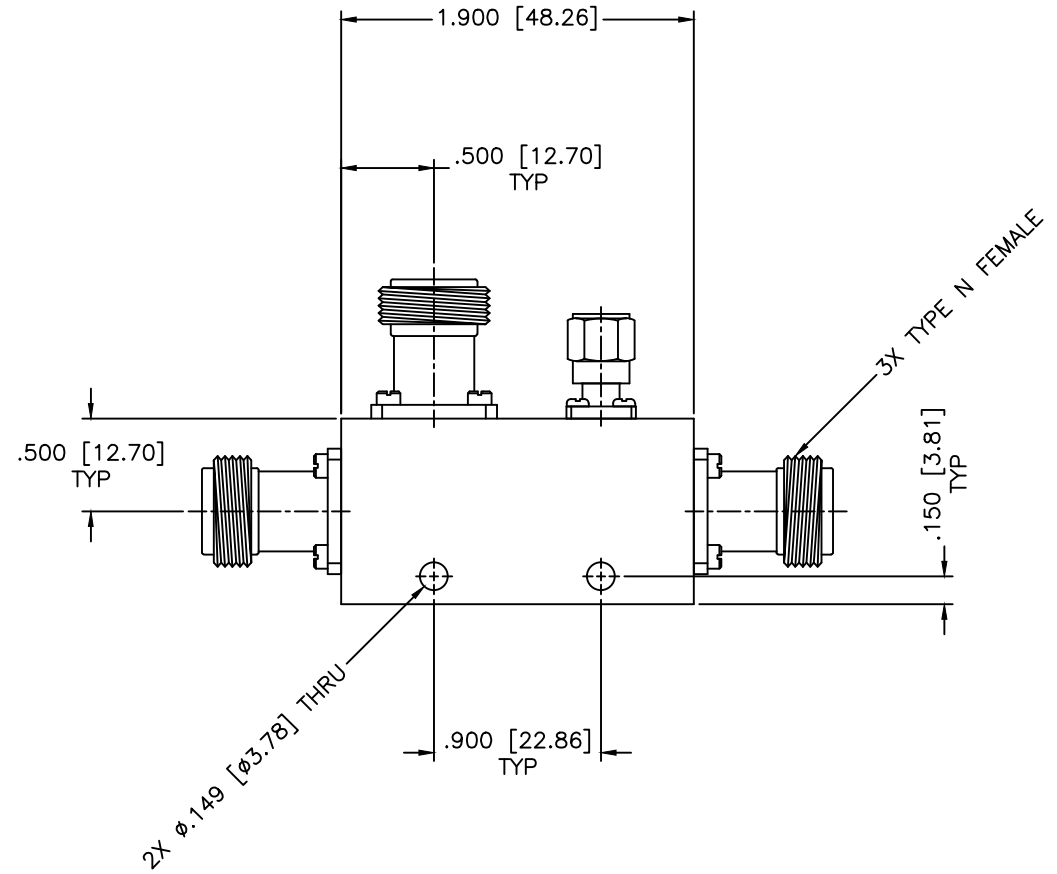
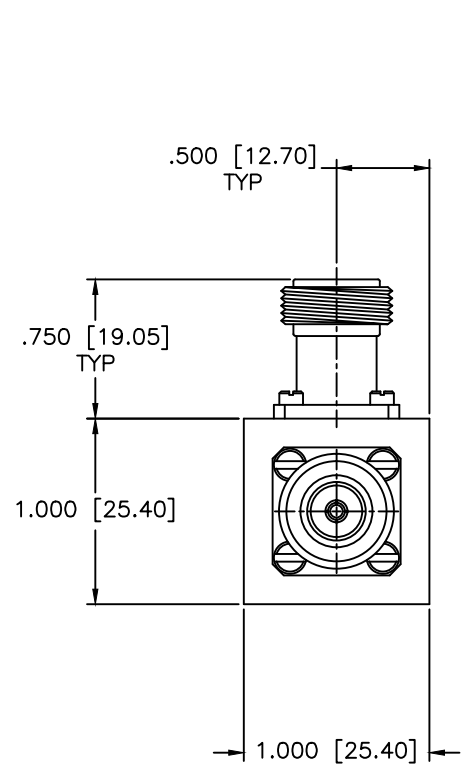


REVISIONS				
ZONE	REV	DESCRIPTION	DATE	APPROVED



SPECIFICATIONS

- Frequency Range: 2–8 GHz
- Coupling: 10±1.25dB
- Insertion Loss: 0.5dB Max.
- Frequency Sensitivity: ±0.75dB
- Directivity: 20dB Min.
- VSWR: 1.35:1 Max.
- Power: 10W Avg, 3kW Peak

MATERIAL:			MICROWAVE COMMUNICATIONS LABORATORIES INC. 7255 30TH AVE. N. SAINT PETERSBURG, FL 33710 TEL: (727) 344-6254 FAX: (727) 381-6116 http://WWW.MCLI.COM		SCALE: N/A
			UNLESS OTHERWISE SPECIFIED: TOLERANCES IN (INCHES) OR [mm] (MILLIMETERS) FRACTIONS: ± 1/64 DECIMALS: ±.01 ±.008 ANGLE: ±1/2°		SHEET: N/A
DRAWING TITLE:		DIRECTIONAL COUPLER			
PART NO.:		CB3-10/NF			
DRAWN: Paiboon Luekhamhan	DATE: 01-14-2021	PROPRIETARY NOTICE: THE INFORMATION IN THIS DRAWING IS PROPRIETARY AND SHALL NOT BE USED OR DISCLOSED WITHOUT WRITTEN PERMISSION FROM MICROWAVE COMMUNICATIONS LABORATORIES INC. (MCLI)	CAGE CODE: OD2L5	SIZE: A	REV: B
APPROVED: T. Nguyen	DATE: 01-14-2021		DO NOT SCALE THE DRAWING		DWG NO. 86865

