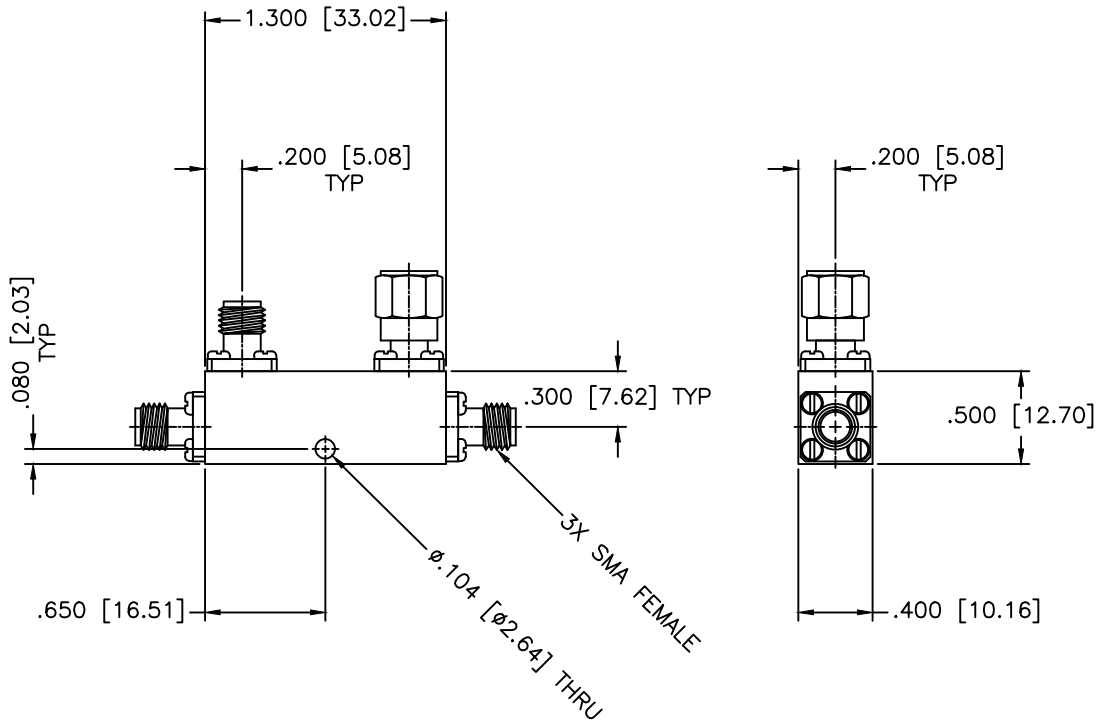


REVISIONS				
ZONE	REV	DESCRIPTION	DATE	APPROVED



SPECIFICATIONS

- Frequency Range: 2–8 GHz
- Coupling: 10±1.0dB
- Insertion Loss: 1.0dB Max.
- Frequency Sensitivity: ±0.3dB
- Directivity: 20dB Min.
- VSWR: 1.25:1 Max.
- Power Incident, Reflected: 50W, 5W, 3kW Peak

MATERIAL:			MICROWAVE COMMUNICATIONS LABORATORIES INC. 7255 30TH AVE. N. SAINT PETERSBURG, FL 33710 TEL: (727) 344-6254 FAX: (727) 381-6116 http://WWW.MCLI.COM		SCALE:
					SHEET: N/A
		UNLESS OTHERWISE SPECIFIED: TOLERANCES IN (INCHES) OR [mm] (MILLIMETERS) FRACTIONS: ± 1/64 DECIMALS: ±.02 ±.010 ANGLE: ±1/2°	DRAWING TITLE:		
		PROPRIETARY NOTICE: THE INFORMATION IN THIS DRAWING IS PROPRIETARY AND SHALL NOT BE USED OR DISCLOSED WITHOUT WRITTEN PERMISSION FROM MICROWAVE COMMUNICATIONS LABORATORIES INC. (MCLI)	DIRECTIONAL COUPLER		
DRAWN: Paiboon Luekhamhan		DATE: 11-18-1997	PART NO. CB3-10		
APPROVED: T. Nguyen		DATE: 11-18-1997	CAGE CODE: OD2L5	SIZE: A	REV: N/A
		THIRD ANGLE PROJECTION 	DO NOT SCALE THE DRAWING		DWG NO. 80510