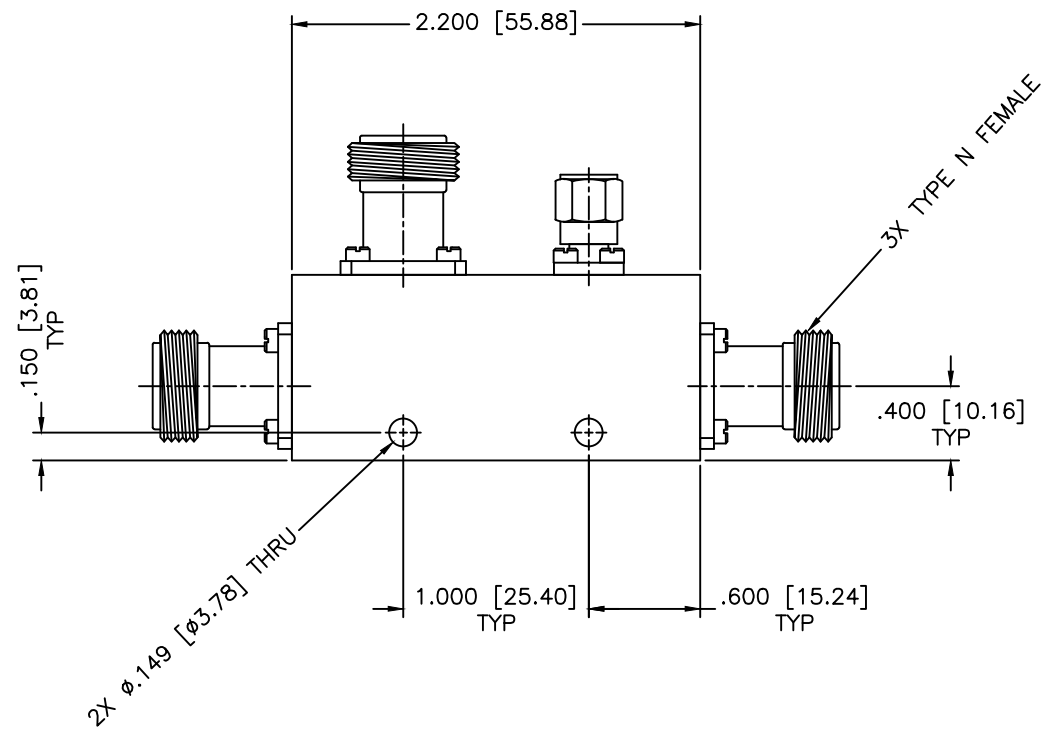
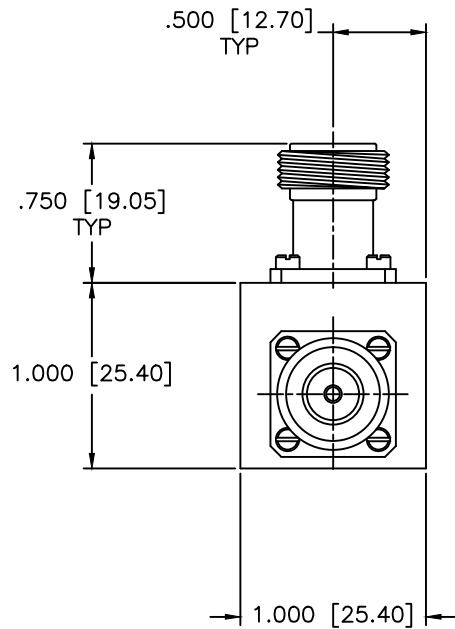


REVISIONS				
ZONE	REV	DESCRIPTION	DATE	APPROVED



SPECIFICATIONS

Frequency Range: 3.65–6.4 GHz
 Coupling: 6±1dB
 Insertion Loss: 1.2dB Max.
 Isolation: 17dB Min.
 Power Rating: 25W
 VSWR: 1.40:1 Max.
 Frequency Sensitivity: ±0.7dB

MATERIAL:			MICROWAVE COMMUNICATIONS LABORATORIES INC. 7255 30TH AVE. N. SAINT PETERSBURG, FL 33710 TEL: (727) 344-6254 FAX: (727) 381-6116 http://WWW.MCLI.COM		SCALE: N/A
					SHEET: N/A
		UNLESS OTHERWISE SPECIFIED: TOLERANCES IN (INCHES) OR [mm] (MILLIMETERS) FRACTIONS: ± 1/64 DECIMALS: ±.02 ±.009 ANGLE: ±1/2°	DRAWING TITLE: DIRECTIONAL COUPLER		
		PROPRIETARY NOTICE: THE INFORMATION IN THIS DRAWING IS PROPRIETARY AND SHALL NOT BE USED OR DISCLOSED WITHOUT WRITTEN PERMISSION FROM MICROWAVE COMMUNICATIONS LABORATORIES INC. (MCLI)	PART NO. CB24-6/NF		
DRAWN: Paiboon Luekhamhan	DATE: 07-30-1998	THIRD ANGLE PROJECTION 	CAGE CODE: OD2L5	SIZE: A	REV: N/A
APPROVED: T. Nguyen	DATE: 07-30-1998		DO NOT SCALE THE DRAWING		DWG NO. 81091