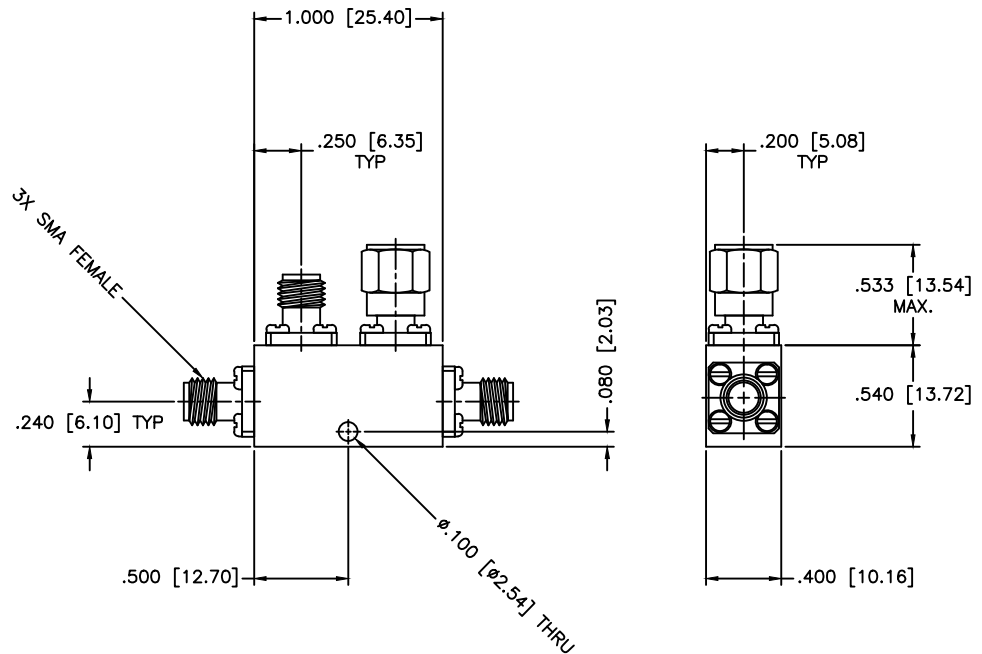


REVISIONS				
ZONE	REV	DESCRIPTION	Date	APPROVED



SPECIFICATIONS

Frequency Range: 3.65–6.4 GHz
 Coupling: 30±1.0dB
 Frequency Sensitivity: ±0.7dB
 Insertion Loss: 0.9dB Max.
 Directivity: 17dB Max.
 VSWR: 1.30:1 Max.
 Power Incident, Reflected: 50W, 25W, 3kW Peak

MATERIAL:		MCLI MICROWAVE COMMUNICATIONS LABORATORIES INC. 7255 30TH AVE. N. SAINT PETERSBURG, FL 33710 TEL: (727) 544-6254 FAX: (727) 381-6116 http://WWW.MCLI.COM	SCALE:	N/A
			SHEET:	N/A
UNLESS OTHERWISE SPECIFIED: TOLERANCES IN (INCHES) OR [mm] (MILLIMETERS) FRACTIONS: ± 1/64 DECIMALS: ± .01 ± .005 ANGLE: ± 1/2°		DRAWING TITLE: DIRECTIONAL COUPLER		
DRAWN: Paiboon Luekhamhan		PART NO. CB24-30		
DATE: 11-06-2007		CAGE CODE: OD2L5		
APPROVED: T. Nguyen		DATE: 11-06-2007		
THIRD ANGLE PROJECTION		SIZE: A REV: C DWG. NO. 82982		
		DO NOT SCALE THE DRAWING		