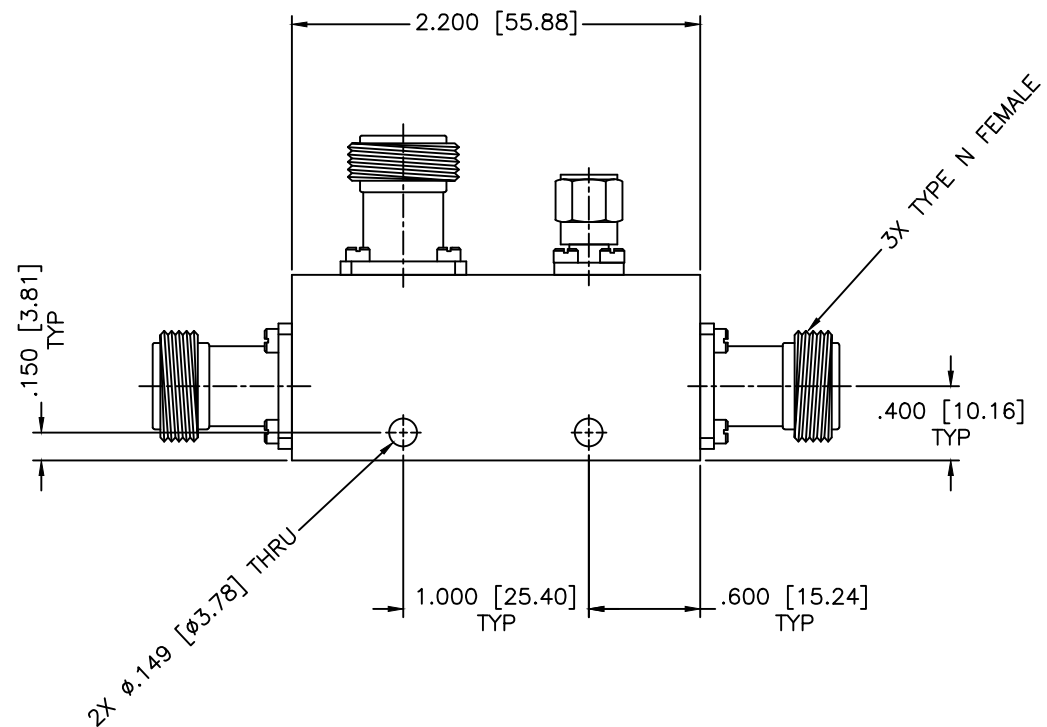
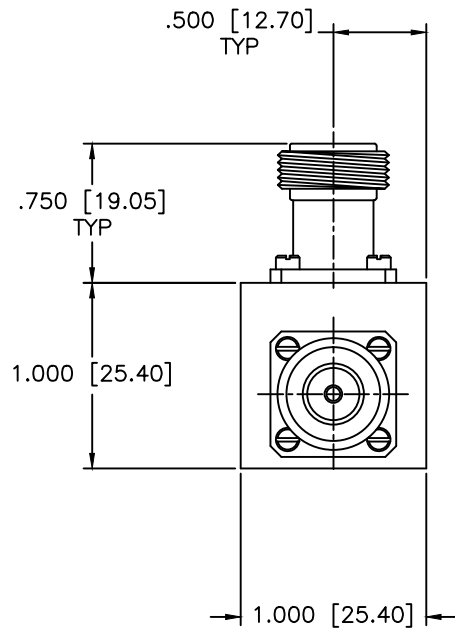


REVISIONS				
ZONE	REV	DESCRIPTION	DATE	APPROVED



**SPECIFICATIONS**

Frequency Range: 3.65–6.4 GHz  
 Coupling: 20±1dB  
 Insertion Loss: 0.9dB Max.  
 Isolation: 17dB Min.  
 Power Rating: 25W  
 VSWR: 1.40:1 Max.  
 Frequency Sensitivity: ±0.7dB

MATERIAL:			MICROWAVE COMMUNICATIONS LABORATORIES INC. 7255 30TH AVE. N. SAINT PETERSBURG, FL 33710 TEL: (727) 344-6254 FAX: (727) 381-6116 http://WWW.MCLI.COM		SCALE:	N/A
			UNLESS OTHERWISE SPECIFIED: TOLERANCES IN (INCHES) OR (mm) (MILLIMETERS) FRACTIONS: ± 1/64 DECIMALS: ±.02 ±.009 ANGLE: ±1/2°		DRAWING TITLE:	DIRECTIONAL COUPLER
DRAWN:		DATE:		PART NO.		
Paiboon Luekhamhan		11-19-1997		CB24-20/NF		
APPROVED:		DATE:		CAGE CODE:	SIZE:	REV:
T. Nguyen		11-19-1997		OD2L5	A	N/A
		PROPRIETARY NOTICE: THE INFORMATION IN THIS DRAWING IS PROPRIETARY AND SHALL NOT BE USED OR DISCLOSED WITHOUT WRITTEN PERMISSION FROM MICROWAVE COMMUNICATIONS LABORATORIES INC. (MCLI)		DO NOT SCALE THE DRAWING		DWG NO.
		THIRD ANGLE PROJECTION 				81092