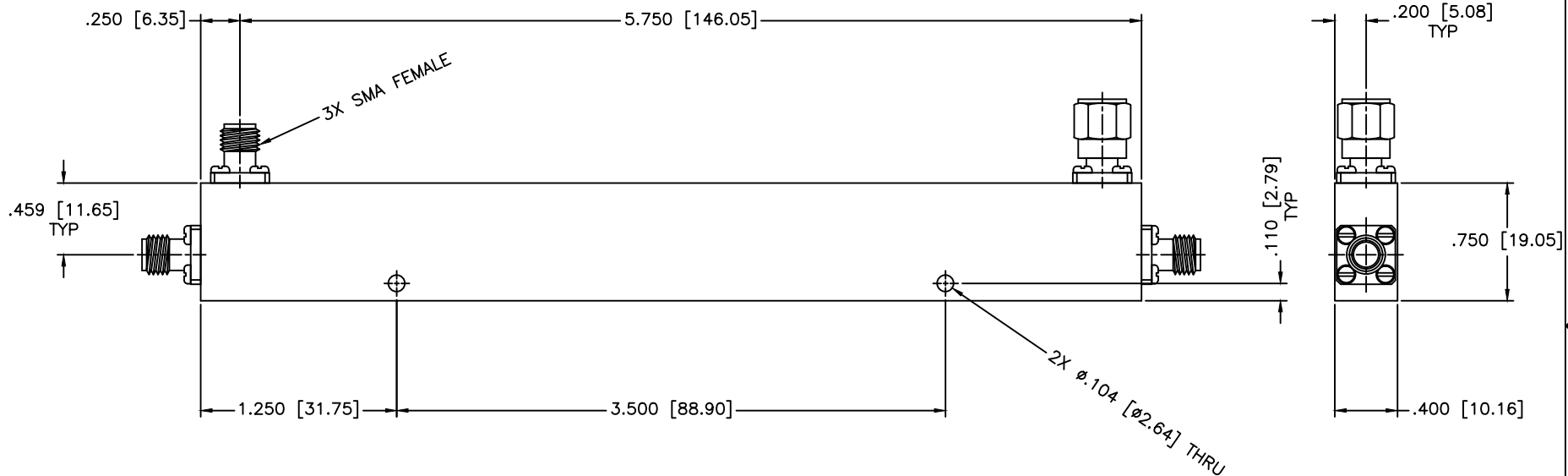


REVISIONS				
ZONE	REV	DESCRIPTION	DATE	APPROVED



SPECIFICATIONS

Frequency Range: 0.4–6 GHz
 VSWR: 1.35:1 Max.
 Coupling: 30±1.0dB
 Insertion Loss: 1.25dB Max.
 Directivity: 15dB Min.
 Power: 20W, 3kW Peak
 Frequency Sensitivity: ±0.8dB

MATERIAL:	
DRAWN: Paibon Luekhamhan	DATE: 06-13-2011
APPROVED: T. Nguyen	DATE: 06-13-2011

	MICROWAVE COMMUNICATIONS LABORATORIES INC. 7255 30TH AVE. N. SAINT PETERSBURG, FL 33710 TEL: (727) 344-6254 FAX: (727) 381-6116 http://WWW.MCLI.COM		SCALE: N/A
	UNLESS OTHERWISE SPECIFIED: TOLERANCES IN (INCHES) OR [mm] (MILLIMETERS) FRACTIONS: ± 1/64 DECIMALS: ±.01 ±.005 ANGLE: ±1/2°		SHEET: N/A
DRAWING TITLE: DIRECTIONAL COUPLER		PART NO. CB22-30	
CAGE CODE: OD2L5	SIZE: A	REV: N/A	DWG NO. 85720
DO NOT SCALE THE DRAWING			

PROPRIETARY NOTICE:
 THE INFORMATION IN THIS DRAWING IS PROPRIETARY
 AND SHALL NOT BE USED OR DISCLOSED WITHOUT WRITTEN
 PERMISSION FROM MICROWAVE COMMUNICATIONS
 LABORATORIES INC. (MCLI)

THIRD ANGLE PROJECTION