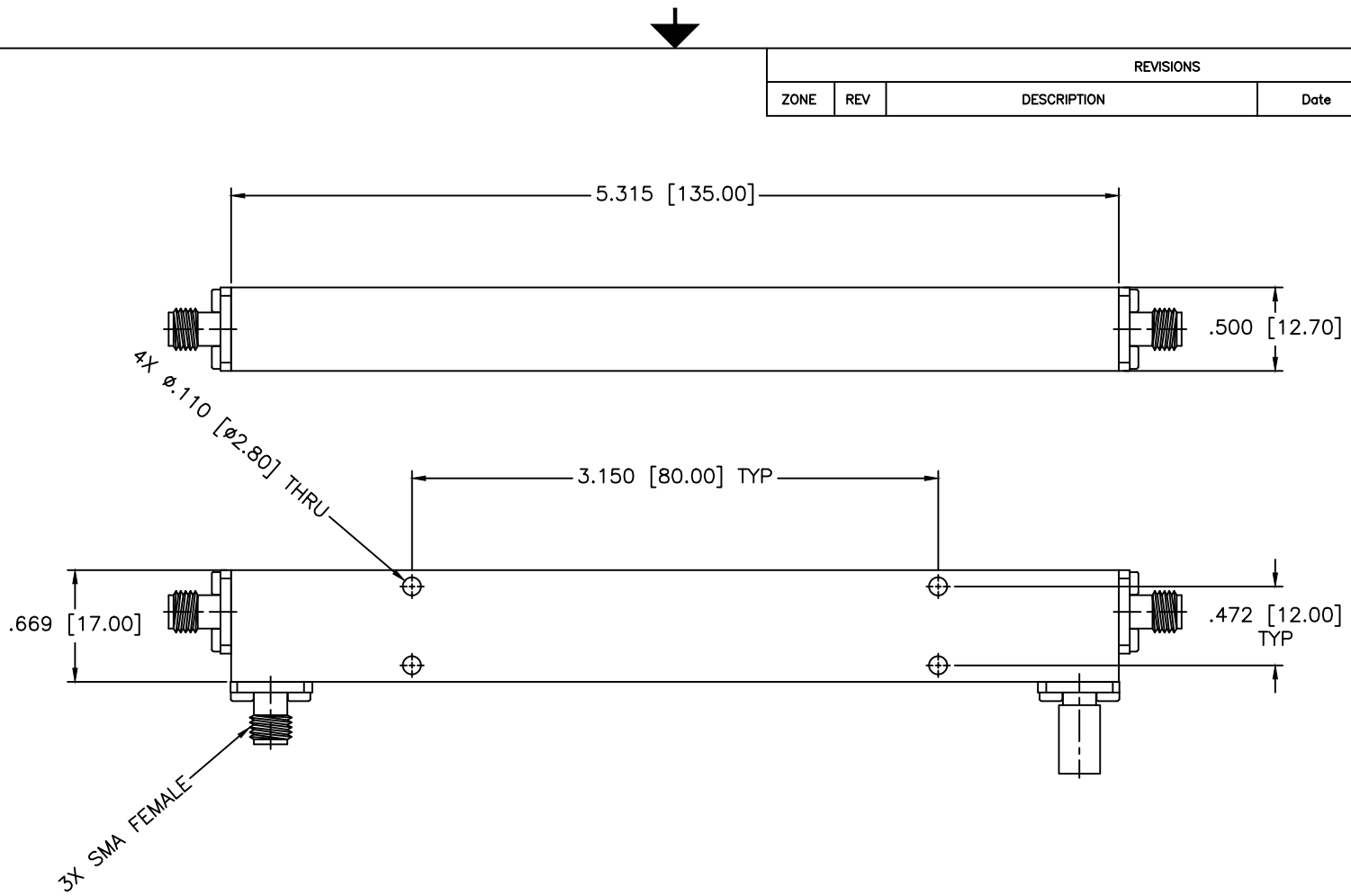


REVISIONS				
ZONE	REV	DESCRIPTION	Date	APPROVED



SPECIFICATIONS

Frequency Range: 0.4–6 GHz
 VSWR: 1.18:1 Max.
 Coupling: 10±1.0dB
 Insertion Loss: 1.3dB Max.
 Directivity: 20dB Min, 22dB Typ.
 Frequency Sensitivity: ±0.5dB Typ. ±0.9dB Max.
 Power: 20W
 Operating Temperature: -40°C to +85°C

MATERIAL:	
DRAWN: Paiboon Luekhamhan	DATE: 09-10-2020
APPROVED: T. Nguyen	DATE: 09-10-2020

MCLI UNLESS OTHERWISE SPECIFIED: TOLERANCES IN (INCHES) OR [mm] (MILLIMETERS) FRACTIONS: ± 1/64 DECIMALS: ±.01 ±.005 ANGLE: ±1/2°	MICROWAVE COMMUNICATIONS LABORATORIES INC. 7255 30TH AVE. N. SAINT PETERSBURG, FL 33710 TEL: (727) 344-6254 FAX: (727) 381-6116 http://WWW.MCLI.COM		SCALE: N/A
	DRAWING TITLE: DIRECTIONAL COUPLER		SHEET: N/A
PART NO. CB22-10		CAGE CODE: OD2L5	
PROPERTY NOTICE: THE INFORMATION IN THIS DRAWING IS PROPRIETARY AND SHALL NOT BE USED OR DISCLOSED WITHOUT WRITTEN PERMISSION FROM MICROWAVE COMMUNICATIONS LABORATORIES INC. (MCLI)		SIZE: N/A	REV: N/A
THIRD ANGLE PROJECTION		DWG NO. 86849	
DO NOT SCALE THE DRAWING			