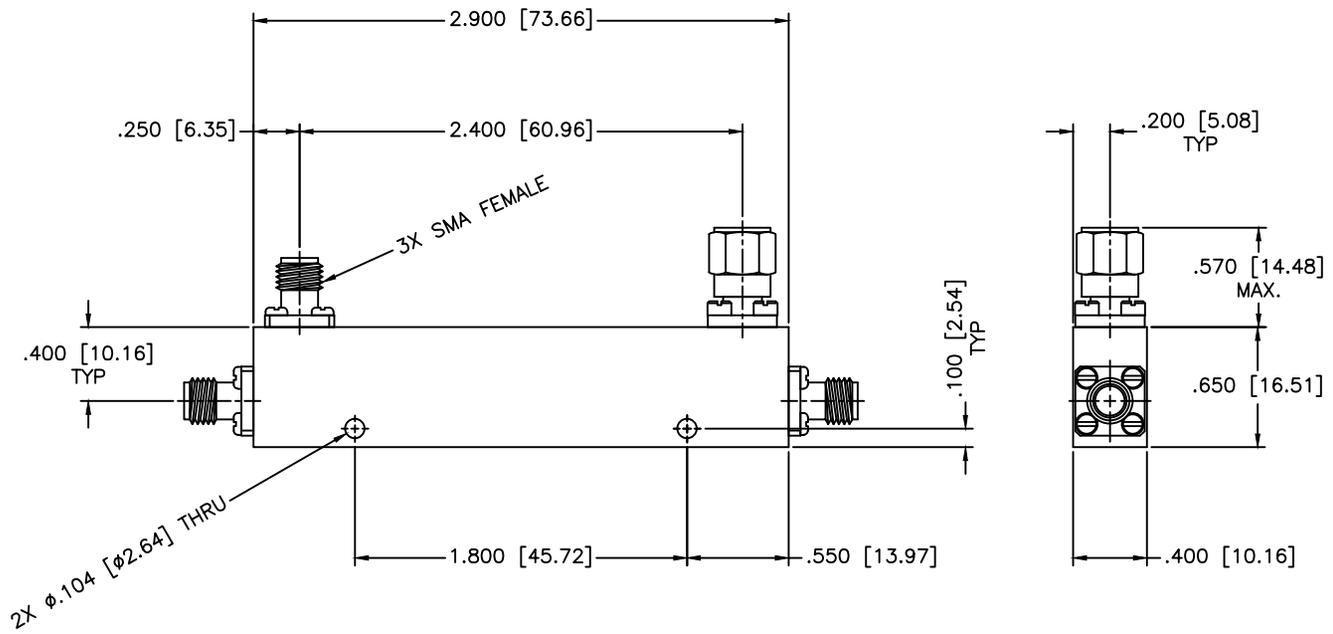


REVISIONS				
ZONE	REV	DESCRIPTION	DATE	APPROVED



SPECIFICATIONS

Frequency Range: 1–3.5 GHz
 VSWR: 1.20:1 Max.
 Coupling: 20±1.0dB
 Insertion Loss: 0.4dB Max.
 Directivity: 23dB Min.
 Frequency Sensitivity: ±0.5dB
 Power Incident, Reflected: 50W, 50W, 3kW Peak

MATERIAL:			MICROWAVE COMMUNICATIONS LABORATORIES INC. 7255 30TH AVE. N. SAINT PETERSBURG, FL 33710 TEL: (727) 344-6254 FAX: (727) 381-6116 http://WWW.MCLI.COM		SCALE:	N/A
			UNLESS OTHERWISE SPECIFIED: TOLERANCES IN (INCHES) OR [mm] (MILLIMETERS) FRACTIONS: ± 1/64 DECIMALS: ±.01 ±.005 ANGLE: ±1/2°	DRAWING TITLE:		SHEET:
DRAWN:		PART NO.		DIRECTIONAL COUPLER		
DATE:		CAGE CODE:		CB2-20		
APPROVED:		SIZE:		81770		
T. Nguyen		A		DO NOT SCALE THE DRAWING		
DATE:		REV:		N/A		
06-27-2001		N/A		DWG NO.		
		0D2L5		81770		



UNLESS OTHERWISE SPECIFIED:
 TOLERANCES
 IN (INCHES) OR [mm] (MILLIMETERS)
 FRACTIONS: ± 1/64
 DECIMALS: ±.01 ±.005
 ANGLE: ±1/2°

PROPRIETARY NOTICE:
 THE INFORMATION IN THIS DRAWING IS PROPRIETARY
 AND SHALL NOT BE USED OR DISCLOSED WITHOUT WRITTEN
 PERMISSION FROM MICROWAVE COMMUNICATIONS
 LABORATORIES INC. (MCLI)



DRAWING TITLE:			
DIRECTIONAL COUPLER			
PART NO.			
CB2-20			
CAGE CODE:	SIZE:	REV:	DWG NO.
0D2L5	A	N/A	81770
DO NOT SCALE THE DRAWING			