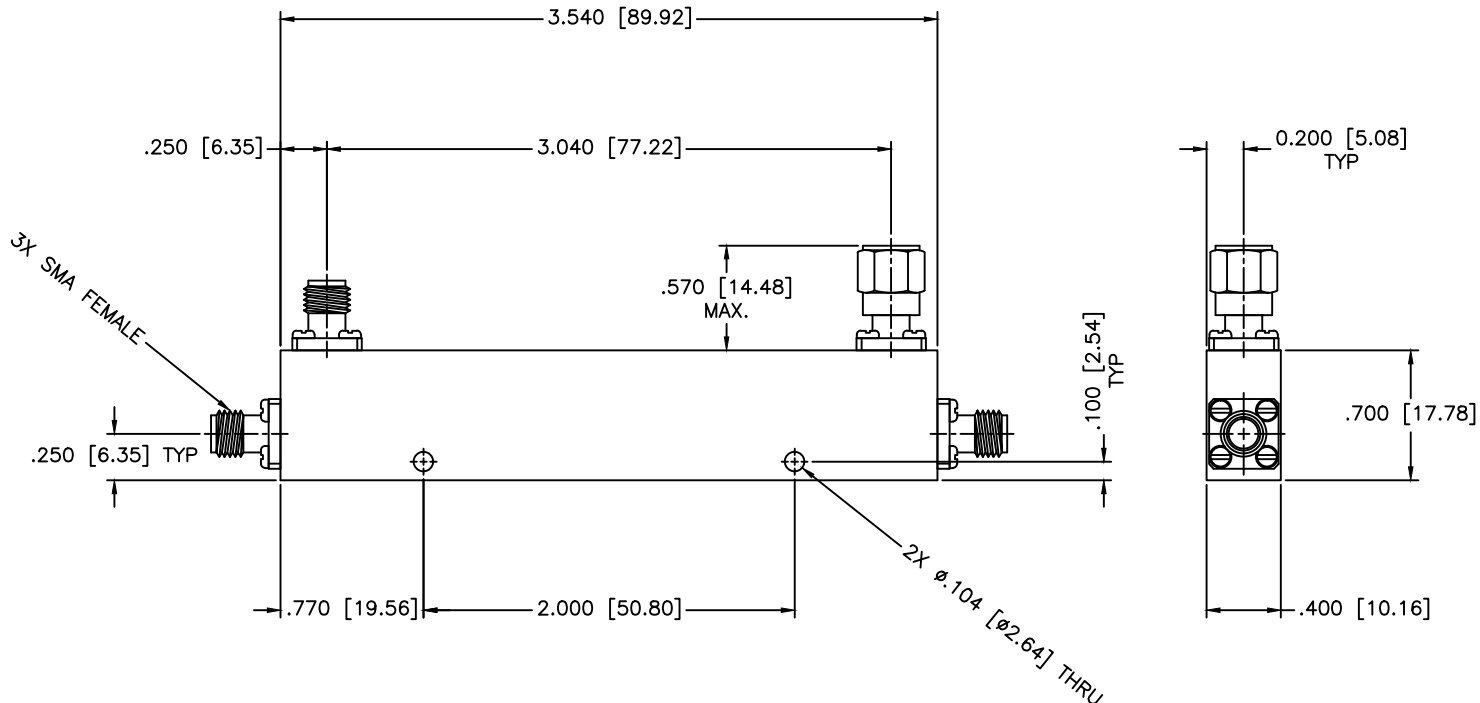


REVISIONS				
ZONE	REV	DESCRIPTION	DATE	APPROVED



SPECIFICATIONS

Frequency Range: 1–20 GHz
 VSWR: 1.35:1 Max.
 Coupling: 20±1.0dB
 Insertion Loss: 1.0dB Max.
 Directivity: 16dB Min.
 Frequency Sensitivity: ±0.35dB
 Power: 20W Avg, 3kW Peak
 Operating Temperature: -54°C to +85°C

MATERIAL:			MICROWAVE COMMUNICATIONS LABORATORIES INC. 7255 30TH AVE. N. SAINT PETERSBURG, FL 33710 TEL: (727) 344-6254 FAX: (727) 381-6116 http://WWW.MCLI.COM		SHEET:	N/A
			UNLESS OTHERWISE SPECIFIED: TOLERANCES IN (INCHES) OR [mm] (MILLIMETERS) FRACTIONS: ± 1/64 DECIMALS: ±.01 ±.005 ANGLE: ±1/2°		DRAWING TITLE: DIRECTIONAL COUPLER	
DRAWN:		DATE:		PART NO.		
Paibon Luekhamhan		08-28-2001		CB15-20		
APPROVED:		DATE:		CAGE CODE:	SIZE:	REV:
T. Nguyen		08-28-2001		OD2L5	A	N/A
		PROPRIETARY NOTICE: THE INFORMATION IN THIS DRAWING IS PROPRIETARY AND SHALL NOT BE USED OR DISCLOSED WITHOUT WRITTEN PERMISSION FROM MICROWAVE COMMUNICATIONS LABORATORIES INC. (MCLI)		DO NOT SCALE THE DRAWING		DWG NO.
		THIRD ANGLE PROJECTION 				81826