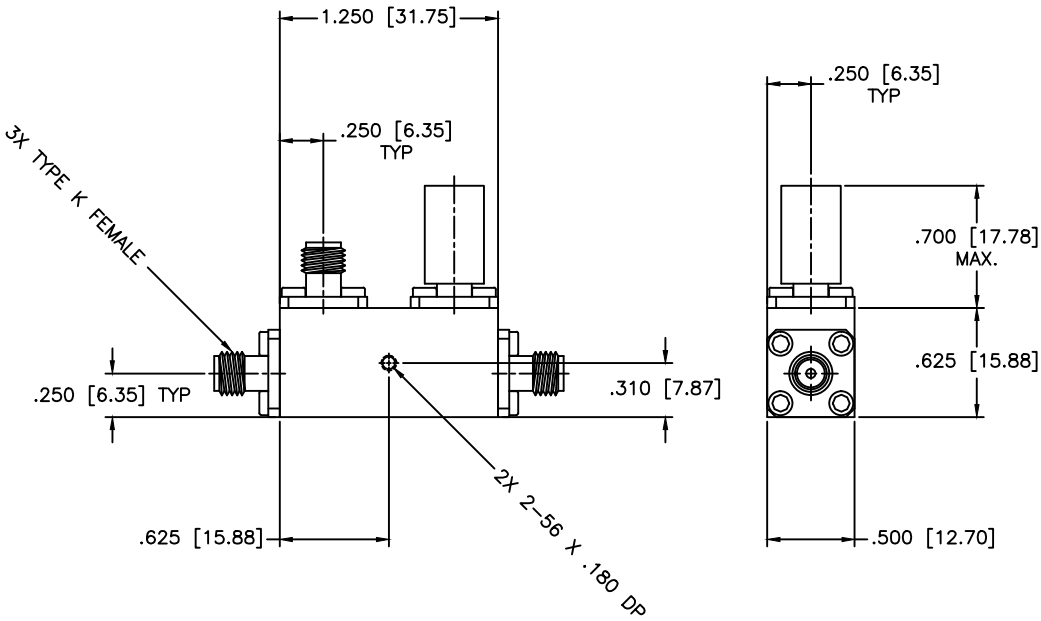


| REVISIONS | | | | |
|-----------|-----|-------------|------|----------|
| ZONE | REV | DESCRIPTION | Date | APPROVED |



SPECIFICATIONS

Frequency Range: 10–40 GHz
 VSWR: 1.70:1 Max.
 Coupling: 30±1.0dB
 Insertion Loss: 1.2dB Max.
 Directivity: 12dB Min.
 Frequency Sensitivity: ±0.7dB
 Power Rating: 20W Avg, 3kW Peak
 Operating Temperature: –32°C to +85°C

| | | | | |
|------------------------------|---------------------|--|--|----------|
| MATERIAL: | | MCLI MICROWAVE COMMUNICATIONS LABORATORIES INC. 7255 30TH AVE. N. SAINT PETERSBURG, FL 33710 TEL: (727) 344-6254 FAX: (727) 381-6116 http://WWW.MCLI.COM | SCALE: | N/A |
| | | | SHEET: | N/A |
| | | UNLESS OTHERWISE SPECIFIED: TOLERANCES IN (INCHES) OR [mm] (MILLIMETERS) FRACTIONS: ± 1/64 DECIMALS: ±.01 ±.005 ANGLE: ±1/2° | DRAWING TITLE: DIRECTIONAL COUPLER | |
| | | PROPERTY NOTICE: THE INFORMATION IN THIS DRAWING IS PROPRIETARY AND SHALL NOT BE USED OR DISCLOSED WITHOUT WRITTEN PERMISSION FROM MICROWAVE COMMUNICATIONS LABORATORIES INC. (MCLI) | PART NO. CB138-30 | |
| DRAWN: Paiboon Luekhamhan | DATE: 07-26-2011 | THIRD ANGLE PROJECTION | CAGE CODE: | OD2L5 |
| APPROVED: T. Nguyen | DATE: 07-26-2011 | | SIZE: A | REV: N/A |
| DO NOT SCALE THE DRAWING | | | | |