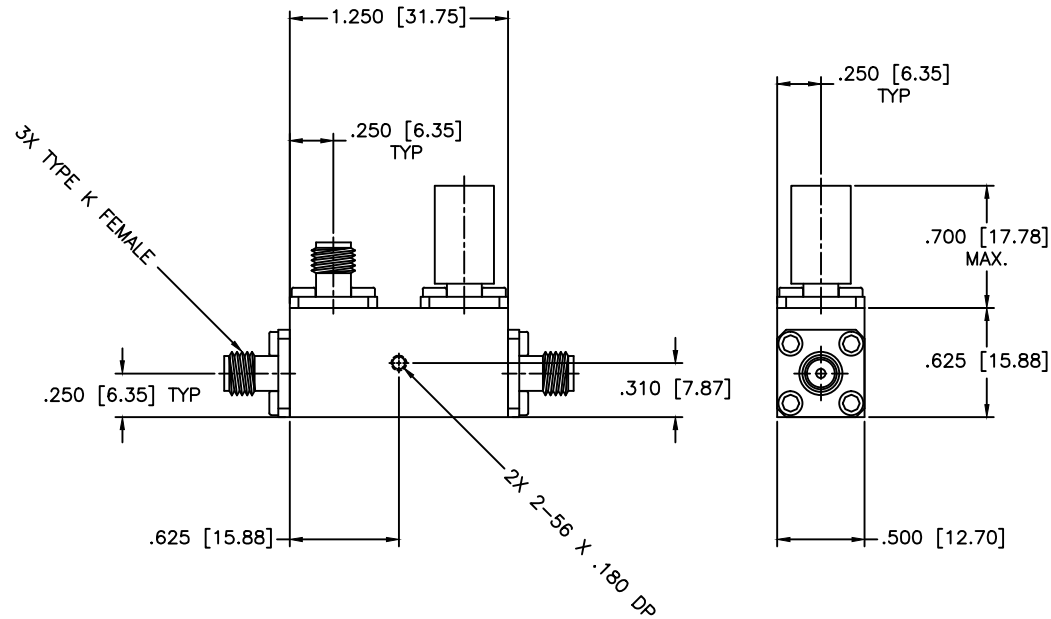


REVISIONS				
ZONE	REV	DESCRIPTION	Date	APPROVED



SPECIFICATIONS

Frequency Range: 10–40 GHz
 VSWR: 1.70:1 Max.
 Coupling: 20±1.0dB
 Insertion Loss: 1.2dB Max.
 Directivity: 12dB Min.
 Frequency Sensitivity: ±0.4dB
 Power Rating: 20W Avg, 3kW Peak
 Operating Temperature: –32°C to +85°C

MATERIAL:		MCLI MICROWAVE COMMUNICATIONS LABORATORIES INC. 7255 30TH AVE. N. SAINT PETERSBURG, FL 33710 TEL: (727) 344-6254 FAX: (727) 381-6116 http://WWW.MCLI.COM	SCALE: N/A
			SHEET: N/A
UNLESS OTHERWISE SPECIFIED: TOLERANCES IN (INCHES) OR [mm] (MILLIMETERS) FRACTIONS: ± 1/64 DECIMALS: ±.01 ±.005 ANGLE: ±1/2°		DRAWING TITLE: DIRECTIONAL COUPLER	
DRAWN: Paiboon Luekhamhan		PART NO.: CB138-10	
DATE: 07-26-2011		CAGE CODE: OD2L5	
APPROVED: T. Nguyen		SIZE: A	REV: N/A
DATE: 07-26-2011		DWG NO.: 85789	
THIRD ANGLE PROJECTION		DO NOT SCALE THE DRAWING	