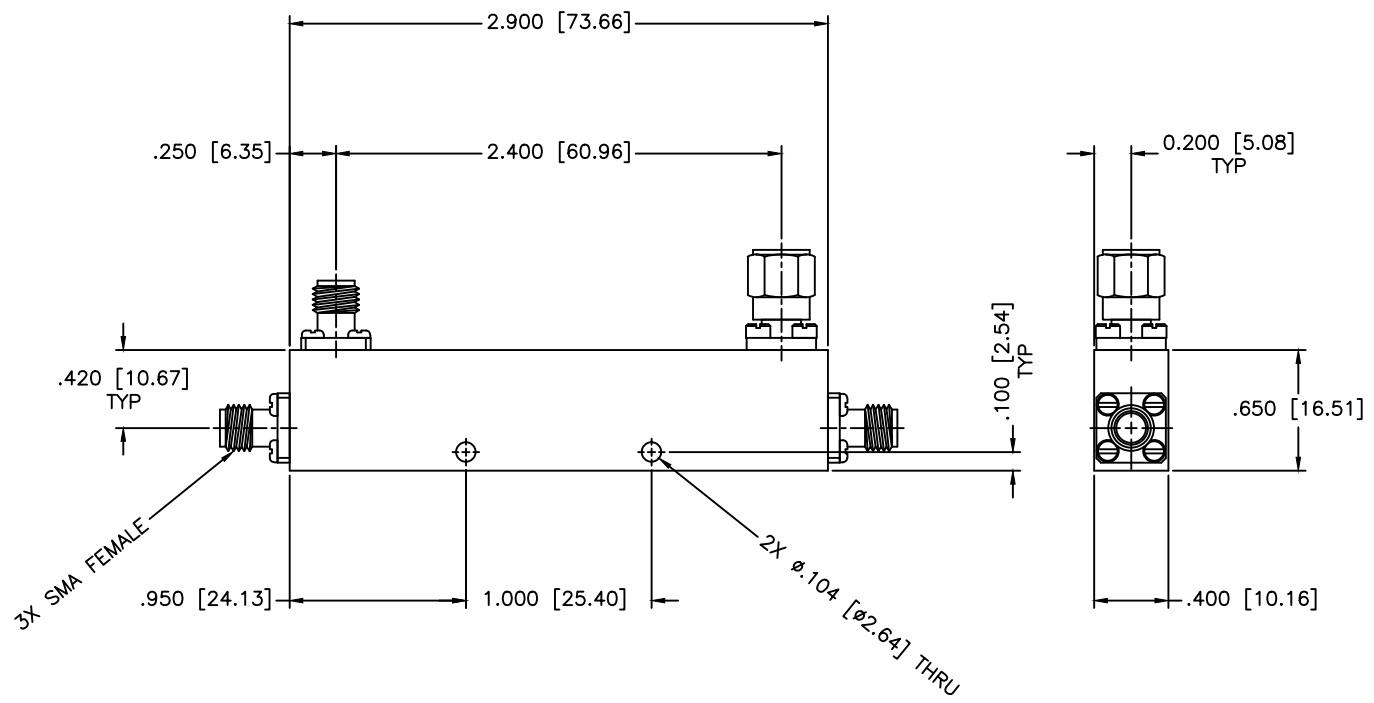


| REVISIONS | | | | |
|-----------|-----|-------------|------|----------|
| ZONE | REV | DESCRIPTION | DATE | APPROVED |



SPECIFICATIONS

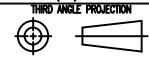
Frequency Range: 1–12.4 GHz
 VSWR: 1.50:1 Max.
 Coupling: 20±1.0dB
 Insertion Loss: 0.9dB Max.
 Directivity: 15dB Min.
 Frequency Sensitivity: ±0.4dB
 Power Incident, Reflected: 20W, 5W, 3kW Peak

| | | | | | | |
|-----------|--|--------------------------|--|---------------------|--------|-----|
| MATERIAL: | | | MICROWAVE COMMUNICATIONS LABORATORIES INC. 7255 30TH AVE. N. SAINT PETERSBURG, FL 33710 TEL: (727) 344-6254 FAX: (727) 381-6116 http://WWW.MCLI.COM | | SCALE: | N/A |
| | | | UNLESS OTHERWISE SPECIFIED: TOLERANCES IN (INCHES) OR [mm] (MILLIMETERS) FRACTIONS: ± 1/64 DECIMALS: ±.01 ±.005 ANGLE: ±1/2° | | SHEET: | N/A |
| DRAWN: | | DRAWING TITLE: | | DIRECTIONAL COUPLER | | |
| DATE: | | PART NO.: | | | | |
| APPROVED: | | CAGE CODE: | | CB13-20 | | |
| DATE: | | SIZE: | | A | | |
| | | REV: | | A | | |
| | | DWG NO.: | | 82675 | | |
| | | DO NOT SCALE THE DRAWING | | | | |



UNLESS OTHERWISE SPECIFIED:
 TOLERANCES
 IN (INCHES) OR [mm] (MILLIMETERS)
 FRACTIONS: ± 1/64
 DECIMALS: ±.01 ±.005
 ANGLE: ±1/2°

PROPRIETARY NOTICE:
 THE INFORMATION IN THIS DRAWING IS PROPRIETARY
 AND SHALL NOT BE USED OR DISCLOSED WITHOUT WRITTEN
 PERMISSION FROM MICROWAVE COMMUNICATIONS
 LABORATORIES INC. (MCLI)



DRAWING TITLE:
 DIRECTIONAL COUPLER

PART NO.:

CAGE CODE: OD2L5
 SIZE: A
 REV: A
 DWG NO.: 82675

DO NOT SCALE THE DRAWING