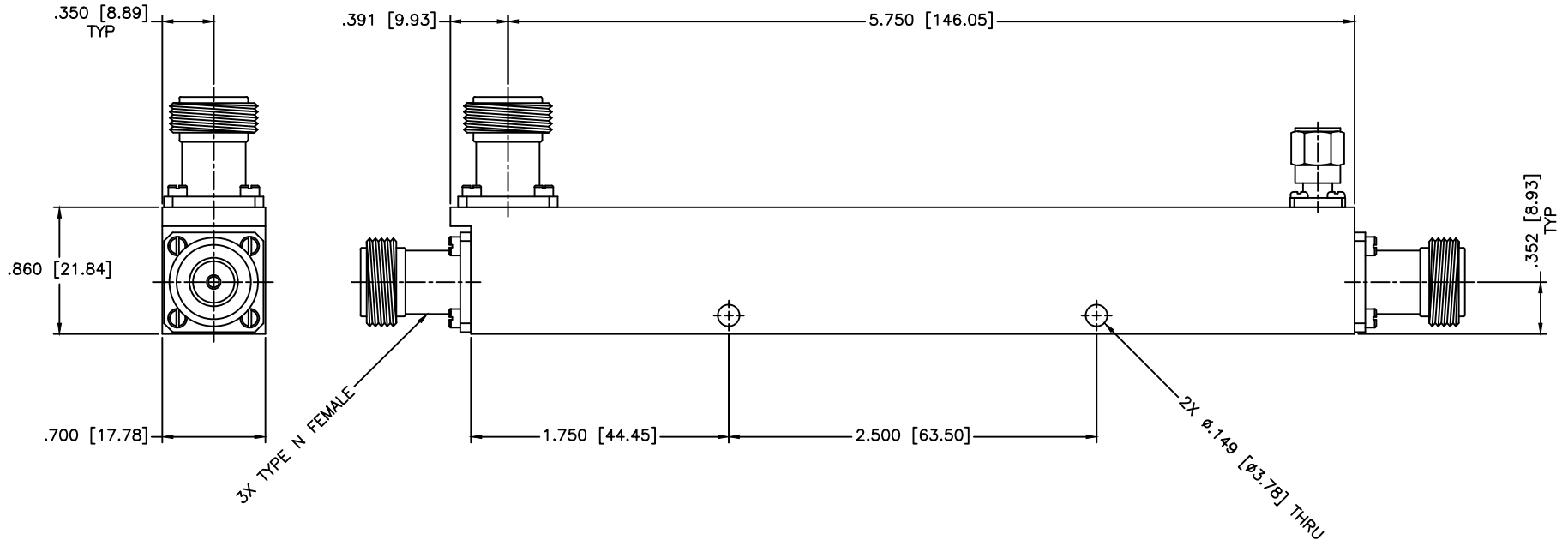


REVISIONS				
ZONE	REV	DESCRIPTION	DATE	APPROVED



SPECIFICATIONS

- Frequency Range: 0.5–18 GHz
- Coupling: 30±1dB
- Insertion Loss: 0.9dB Max.
- Isolation: 15dB Min.
- Power Rating: 20 Watts
- Impedance: 50 Ohms
- VSWR: 1.35:1 Max.
- Frequency Sensitivity: ±0.8dB

MATERIAL:			MICROWAVE COMMUNICATIONS LABORATORIES INC. 7255 30TH AVE. N. SAINT PETERSBURG, FL 33710 TEL: (727) 344-6254 FAX: (727) 381-6116 http://WWW.MCLI.COM		SCALE:	N/A	
			UNLESS OTHERWISE SPECIFIED: TOLERANCES IN (INCHES) OR [mm] (MILLIMETERS) FRACTIONS: ± 1/64 DECIMALS: ±.02 ±.008 ANGLE: ±1/2°	DRAWING TITLE:		DIRECTIONAL COUPLER	
DRAWN:		DATE:		PART NO.		CB11-30/NF	
Paiboon Luekhamhan		06-12-2006		CAGE CODE:		SIZE:	REV:
APPROVED:		DATE:		OD2L5		N/A	A
T. Nguyen		06-12-2006		DO NOT SCALE THE DRAWING		DWG NO.	
		PROPRIETARY NOTICE: THE INFORMATION IN THIS DRAWING IS PROPRIETARY AND SHALL NOT BE USED OR DISCLOSED WITHOUT WRITTEN PERMISSION FROM MICROWAVE COMMUNICATIONS LABORATORIES INC. (MCLI)				82568	
		THIRD ANGLE PROJECTION 					