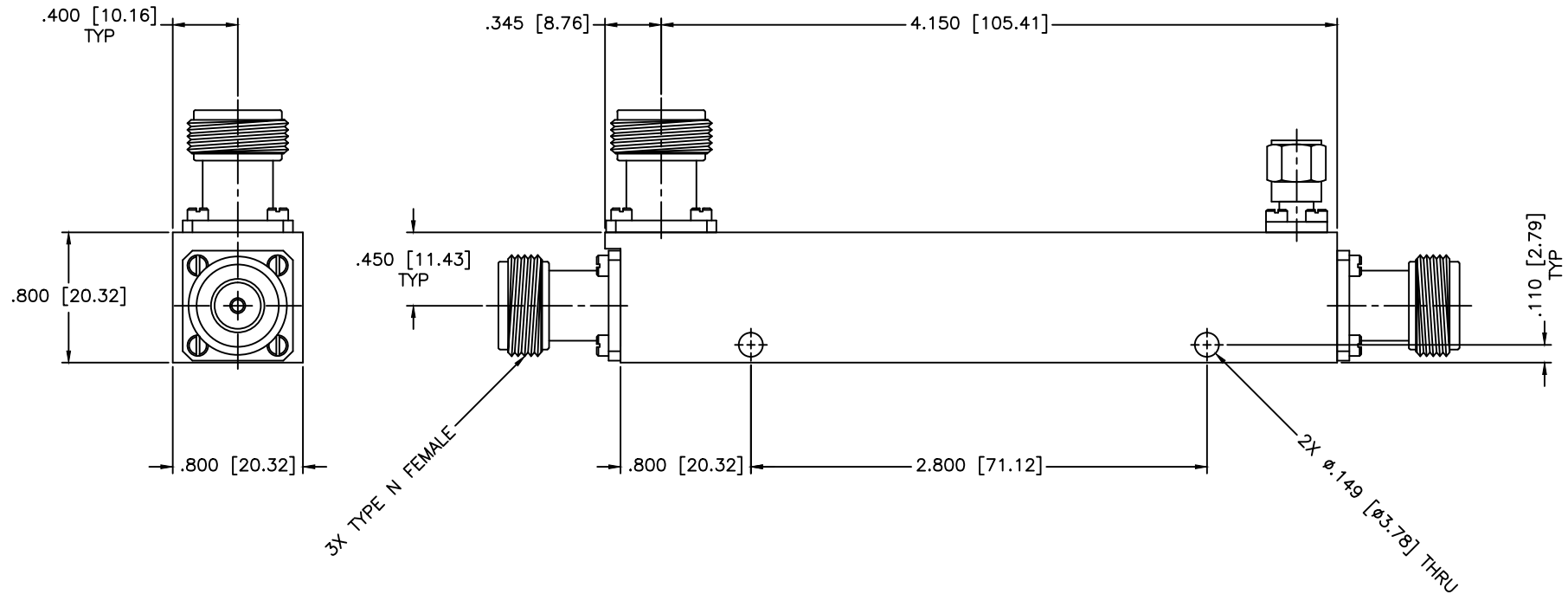


REVISIONS				
ZONE	REV	DESCRIPTION	Date	APPROVED



SPECIFICATIONS

Frequency Range: 0.5–18 GHz
 Coupling: 20±1dB
 Insertion Loss: 0.9dB Max.
 Isolation: 15dB Min.
 Power Rating: 20W
 VSWR: 1.35:1 Max.
 Frequency Sensitivity: ±0.8dB

MATERIAL:		MCLI MICROWAVE COMMUNICATIONS LABORATORIES INC. 7255 30TH AVE. N. SAINT PETERSBURG, FL 33710 TEL: (727) 344-6254 FAX: (727) 381-6116 http://www.mcli.com	SCALE:	N/A
			SHEET:	N/A
UNLESS OTHERWISE SPECIFIED: TOLERANCES IN (INCHES) OR [mm] (MILLIMETERS) FRACTIONS: ± 1/64 DECIMALS: ±.01 ±.005 ANGLE: ±1/2°		DRAWING TITLE: DIRECTIONAL COUPLER		
DRAWN: Paiboon Luekhamhan		PART NO.: CB11-20/NF		
DATE: 09-21-2010	PROPRIETARY NOTICE: THE INFORMATION IN THIS DRAWING IS PROPRIETARY AND SHALL NOT BE USED OR DISCLOSED WITHOUT WRITTEN PERMISSION FROM MICROWAVE COMMUNICATIONS LABORATORIES INC. (MCLI)	CAGE CODE: OD2L5	SIZE: N/A	REV: N/A
APPROVED: T. Nguyen	DATE: 09-21-2010	DO NOT SCALE THE DRAWING		DWG NO.: 85054