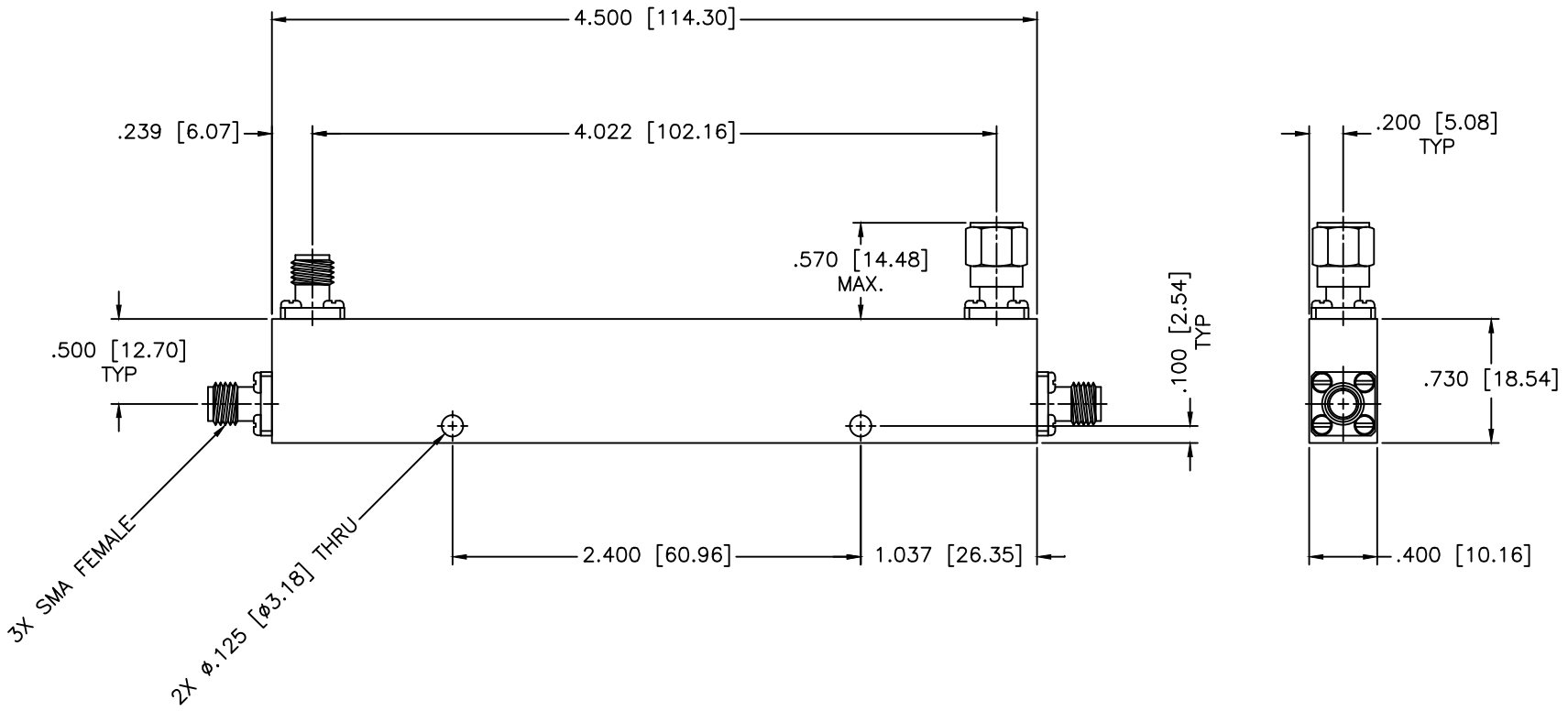


REVISIONS				
ZONE	REV	DESCRIPTION	DATE	APPROVED



SPECIFICATIONS

Frequency Range: 0.5–18 GHz
 Coupling: 16±1.0dB
 Insertion Loss True: 1.20dB Max.
 Frequency Sensitivity: ±0.7dB
 Directivity: 12dB Min.
 VSWR: 1.35:1 Max.
 Power: 20W Avg, 2kW Peak

MATERIAL:	
DRAWN: Paiboon Luethamhan	DATE: 06-21-2006
APPROVED: T. Nguyen	DATE: 06-21-2006

	MICROWAVE COMMUNICATIONS LABORATORIES INC. 7255 30TH AVE. N. SAINT PETERSBURG, FL 33710 TEL: (727) 344-6254 FAX: (727) 381-6116 http://WWW.MCLI.COM		SHEET:	N/A
	UNLESS OTHERWISE SPECIFIED: TOLERANCES IN (INCHES) OR [mm] (MILLIMETERS) FRACTIONS: ± 1/64 DECIMALS: ±.01 ±.005 ANGLE: ±1/2°		DRAWING TITLE:	DIRECTIONAL COUPLER
PROPRIETARY NOTICE: THE INFORMATION IN THIS DRAWING IS PROPRIETARY AND SHALL NOT BE USED OR DISCLOSED WITHOUT WRITTEN PERMISSION FROM MICROWAVE COMMUNICATIONS LABORATORIES INC. (MCLI)		PART NO.	CB11-16	
CAGE CODE:	SIZE:	REV:	DWG NO.	
OD2L5	A	N/A	81813	
DO NOT SCALE THE DRAWING				

