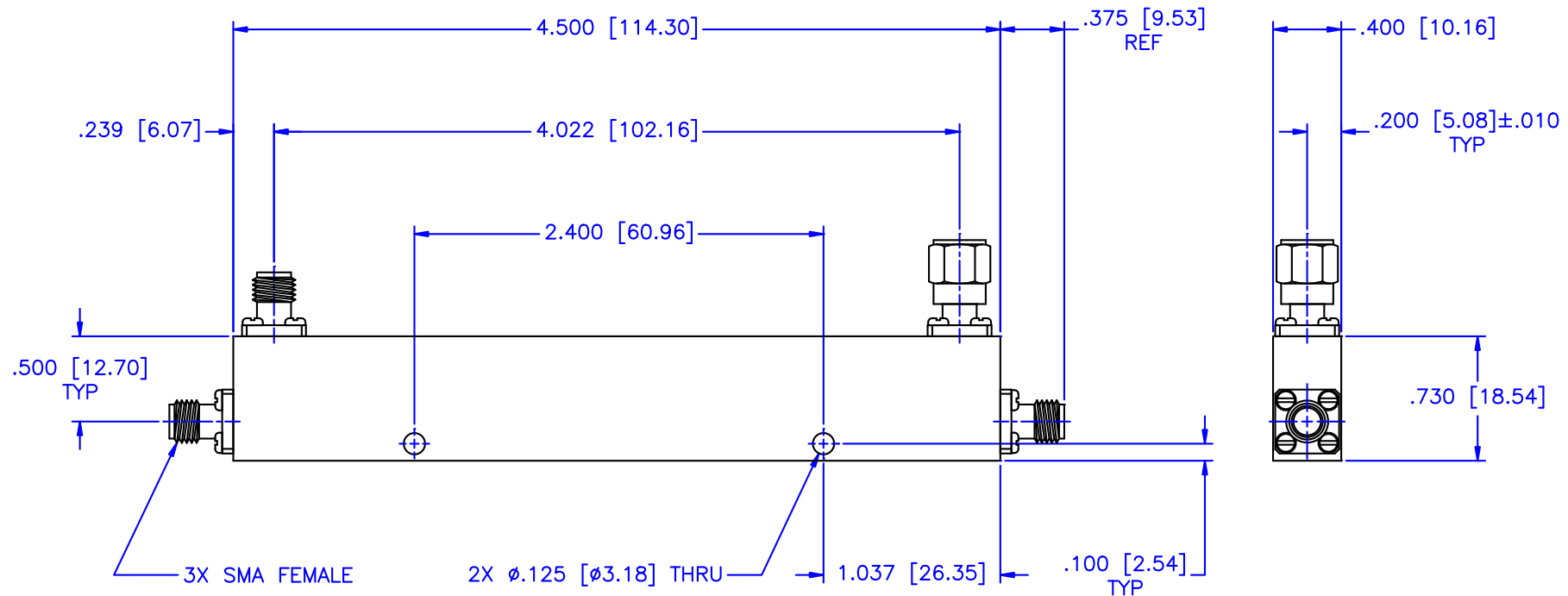


REVISIONS				
ZONE	REV	DESCRIPTION	DATE	APPROVED



SPECIFICATIONS

Frequency Range: 0.5–18 GHz

Coupling: 10±1.0dB

Insertion Loss True: 1.60dB Max.

Insertion loss Exc. Coupled Power: 0.80dB Max.

Frequency Sensitivity: ±0.70dB

Directivity: 12dB Min.

VSWR Primary/Secondary: 1.65:1/1.65:1 Max.

Power Incident/Reflected/Peak: 20W/5W/3kW:

MATERIAL:			MICROWAVE COMMUNICATIONS LABORATORIES INC. 7255 30TH AVE. N. SAINT PETERSBURG, FL 33710 TEL: (727) 344-6254 FAX: (727) 381-6116 http://WWW.MCLI.COM		SCALE:	N/A
DRAWN: Paiboon Luekhamhan			DATE: 06-21-2001	UNLESS OTHERWISE SPECIFIED: TOLERANCES IN (INCHES) OR [mm] (MILLIMETERS) FRACTIONS: ± 1/64 DECIMALS: ±.01 ±.005 ANGLE: ±1/2°		SHEET:
APPROVED: T. Nguyen		DATE: 06-21-2001	DRAWING TITLE: DIRECTIONAL COUPLER		PART NO. CB11-10	
THIRD ANGLE PROJECTION				CAGE CODE: OD2L5	SIZE: A	REV: B
				DO NOT SCALE THE DRAWING		DWG NO. 81765