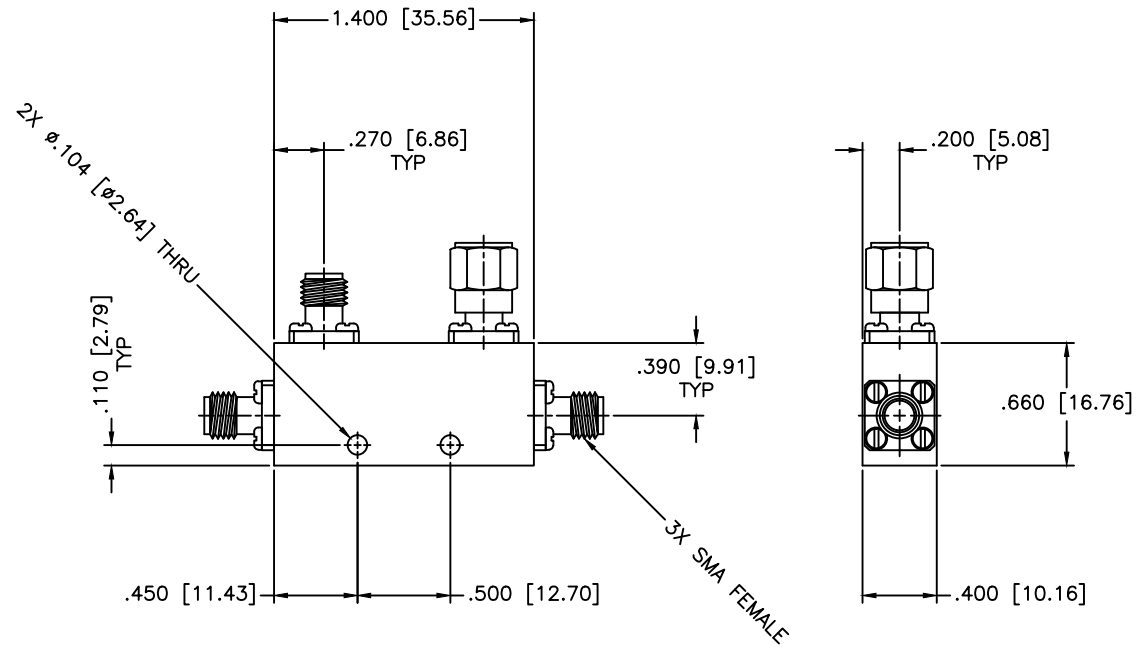


REVISIONS				
ZONE	REV	DESCRIPTION	DATE	APPROVED



**SPECIFICATIONS**

Frequency Range: 6–18 GHz  
 Coupling: 6±1.0dB  
 Frequency Sensitivity: ±0.6dB  
 Insertion Loss: 0.6dB Max.  
 Directivity: 15dB Min.  
 VSWR: 1.50:1 Max.  
 Operating Temperature: –55°C to +85°C

MATERIAL:	
DRAWN: Paiboon Luekhamhan	DATE: 11-21-1997
APPROVED: T. Nguyen	DATE: 11-21-1997

	MICROWAVE COMMUNICATIONS LABORATORIES INC. 7255 30TH AVE. N. SAINT PETERSBURG, FL 33710 TEL: (727) 344-6254 FAX: (727) 381-6116 http://WWW.MCLI.COM		SHEET:	N/A
	UNLESS OTHERWISE SPECIFIED: TOLERANCES IN (INCHES) OR [mm] (MILLIMETERS) FRACTIONS: ± 1/64 DECIMALS: ±.01 ±.005 ANGLE: ±1/2°		DRAWING TITLE:	DIRECTIONAL COUPLER
PROPRIETARY NOTICE: THE INFORMATION IN THIS DRAWING IS PROPRIETARY AND SHALL NOT BE USED OR DISCLOSED WITHOUT WRITTEN PERMISSION FROM MICROWAVE COMMUNICATIONS LABORATORIES INC. (MCLI)		PART NO.	CB10-6	
CAGE CODE:	SIZE:	REV:	DWG NO.	80539
OD2L5	A	N/A	DO NOT SCALE THE DRAWING	

