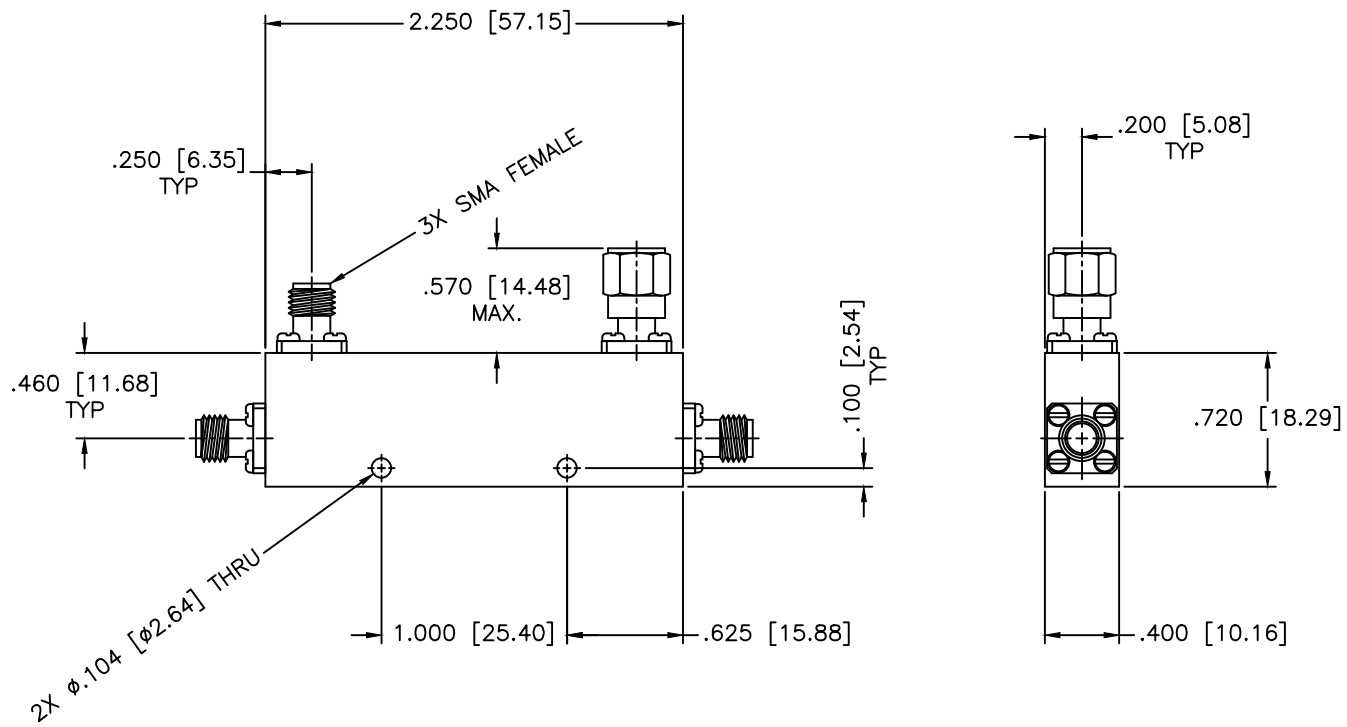


REVISIONS				
ZONE	REV	DESCRIPTION	DATE	APPROVED



SPECIFICATIONS

Frequency Range: 2–20 GHz
 Coupling: 10±0.5dB
 Frequency Sensitivity: ±0.3dB
 Insertion Loss: 1.3dB Max.
 Directivity: 16dB Min.
 VSWR: 1.40:1 Max.
 Power Incident, Reflected: 20W, 5W, 3kW Peak

MATERIAL:		MICROWAVE COMMUNICATIONS LABORATORIES INC. 7255 30TH AVE. N. SAINT PETERSBURG, FL 33710 TEL: (727) 344-6254 FAX: (727) 381-6116 http://WWW.MCLI.COM	SCALE: N/A			
			SHEET: N/A			
UNLESS OTHERWISE SPECIFIED: TOLERANCES IN (INCHES) OR [mm] (MILLIMETERS) FRACTIONS: ± 1/64 DECIMALS: ±.01 ±.005 ANGLE: ±1/2°		DRAWING TITLE: DIRECTIONAL COUPLER				
		PART NO. CB10-30				
DRAWN: Paiboon Luekhamhan	DATE: 08-17-2012	PROPRIETARY NOTICE: THE INFORMATION IN THIS DRAWING IS PROPRIETARY AND SHALL NOT BE USED OR DISCLOSED WITHOUT WRITTEN PERMISSION FROM MICROWAVE COMMUNICATIONS LABORATORIES INC. (MCLI)	CAGE CODE: OD2L5	SIZE: A	REV: A	DWG NO. 80542
APPROVED: T. Nguyen	DATE: 08-17-2012		DO NOT SCALE THE DRAWING			

