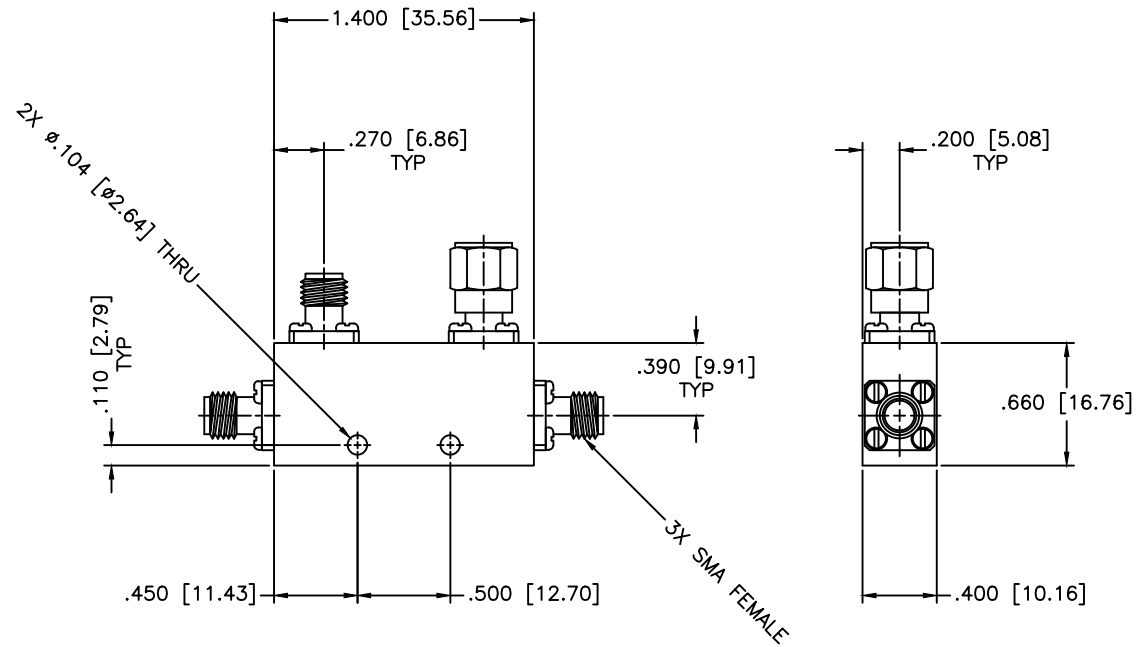


REVISIONS				
ZONE	REV	DESCRIPTION	DATE	APPROVED



SPECIFICATIONS

- Frequency Range: 6–18 GHz
- Coupling: 20±1.0dB
- Frequency Sensitivity: ±0.5dB
- Insertion Loss: 0.42dB Max.
- Directivity: 15dB Min.
- VSWR: 1.50:1 Max.
- Power: 50W
- Operating Temperature: -55°C to +85°C

MATERIAL:	
DRAWN: Paiboon Luekhamhan	DATE: 03-17-2011
APPROVED: T. Nguyen	DATE: 03-17-2011

	MICROWAVE COMMUNICATIONS LABORATORIES INC. 7255 30TH AVE. N. SAINT PETERSBURG, FL 33710 TEL: (727) 344-6254 FAX: (727) 381-6116 http://WWW.MCLI.COM		SHEET:	N/A
	UNLESS OTHERWISE SPECIFIED: TOLERANCES IN (INCHES) OR [mm] (MILLIMETERS) FRACTIONS: ± 1/64 DECIMALS: ±.01 ±.005 ANGLE: ±1/2°		DRAWING TITLE:	DIRECTIONAL COUPLER
PROPRIETARY NOTICE: THE INFORMATION IN THIS DRAWING IS PROPRIETARY AND SHALL NOT BE USED OR DISCLOSED WITHOUT WRITTEN PERMISSION FROM MICROWAVE COMMUNICATIONS LABORATORIES INC. (MCLI)		PART NO.:	CB10-20-50	
CAGE CODE:	SIZE:	REV:	DWG NO.:	
OD2L5	A	N/A	85586	
DO NOT SCALE THE DRAWING				

