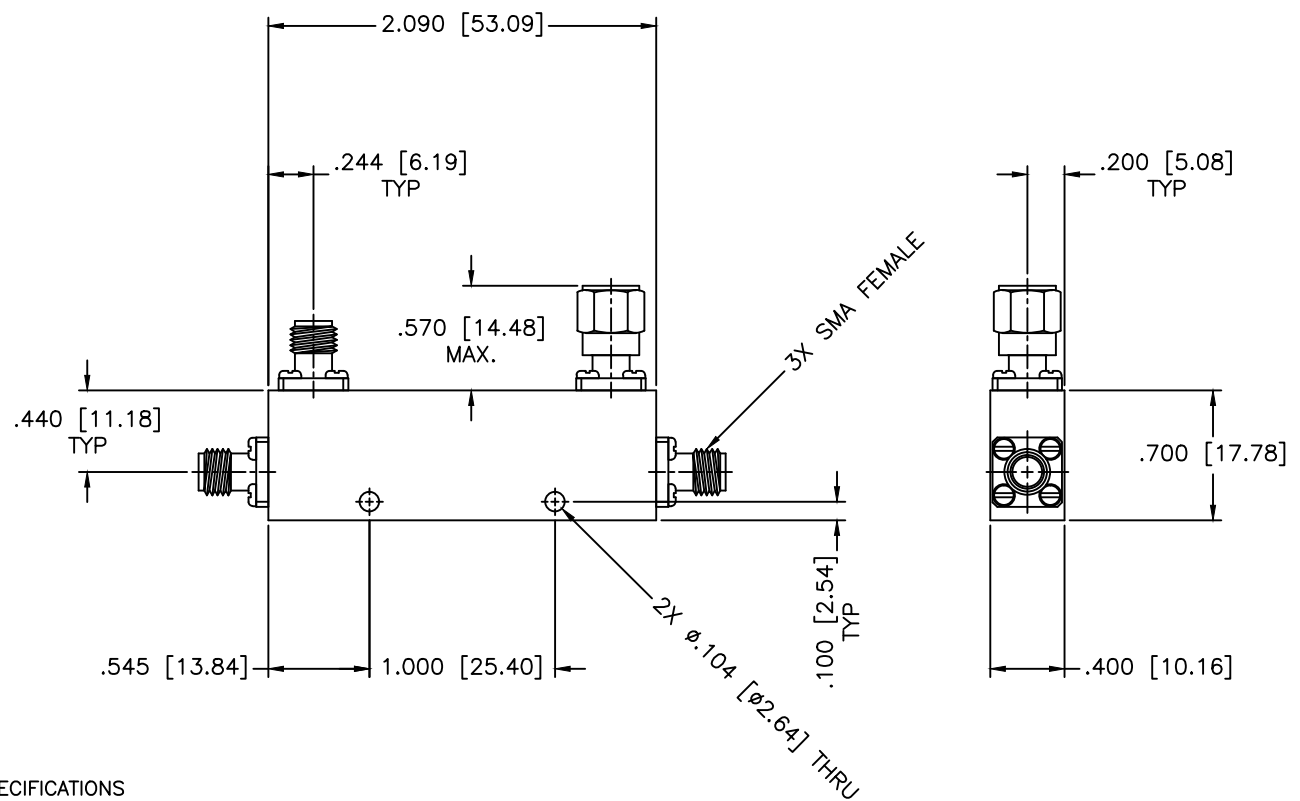


REVISIONS				
ZONE	REV	DESCRIPTION	DATE	APPROVED



SPECIFICATIONS

- Frequency Range: 6–18 GHz
- Coupling: 10±1.25dB
- Frequency Sensitivity: ±0.50dB
- Insertion Loss: 0.90dB Max.
- Directivity: 15dB Min.
- VSWR: 1.40:1 Max.
- Power: 50 Watts
- Operating Temperature: -55°C to +85°C

MATERIAL:			MICROWAVE COMMUNICATIONS LABORATORIES INC. 7255 30TH AVE. N. SAINT PETERSBURG, FL 33710 TEL: (727) 344-6254 FAX: (727) 381-6116 http://WWW.MCLI.COM		SCALE:	N/A
			UNLESS OTHERWISE SPECIFIED: TOLERANCES IN (INCHES) OR [mm] (MILLIMETERS) FRACTIONS: ± 1/64 DECIMALS: ±.01 ±.005 ANGLE: ±1/2°	DRAWING TITLE:		SHEET:
				DIRECTIONAL COUPLER		
				PART NO.		
				CB10-10-50		
DRAWN:	DATE:	PROPRIETARY NOTICE: THE INFORMATION IN THIS DRAWING IS PROPRIETARY AND SHALL NOT BE USED OR DISCLOSED WITHOUT WRITTEN PERMISSION FROM MICROWAVE COMMUNICATIONS LABORATORIES INC. (MCLI)	CAGE CODE:	SIZE:	REV:	DWG NO.
APPROVED:	DATE:		OD2L5	A	C	85585
		THIRD ANGLE PROJECTION 		DO NOT SCALE THE DRAWING		

DRAWN: Paiboon Luekhamhan
 DATE: 03-17-2011
 APPROVED: T. Nguyen
 DATE: 03-17-2011