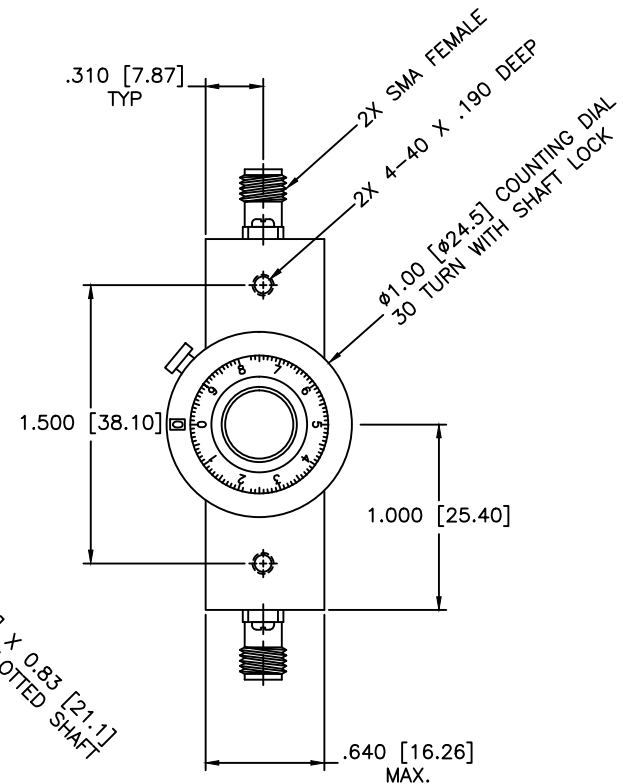
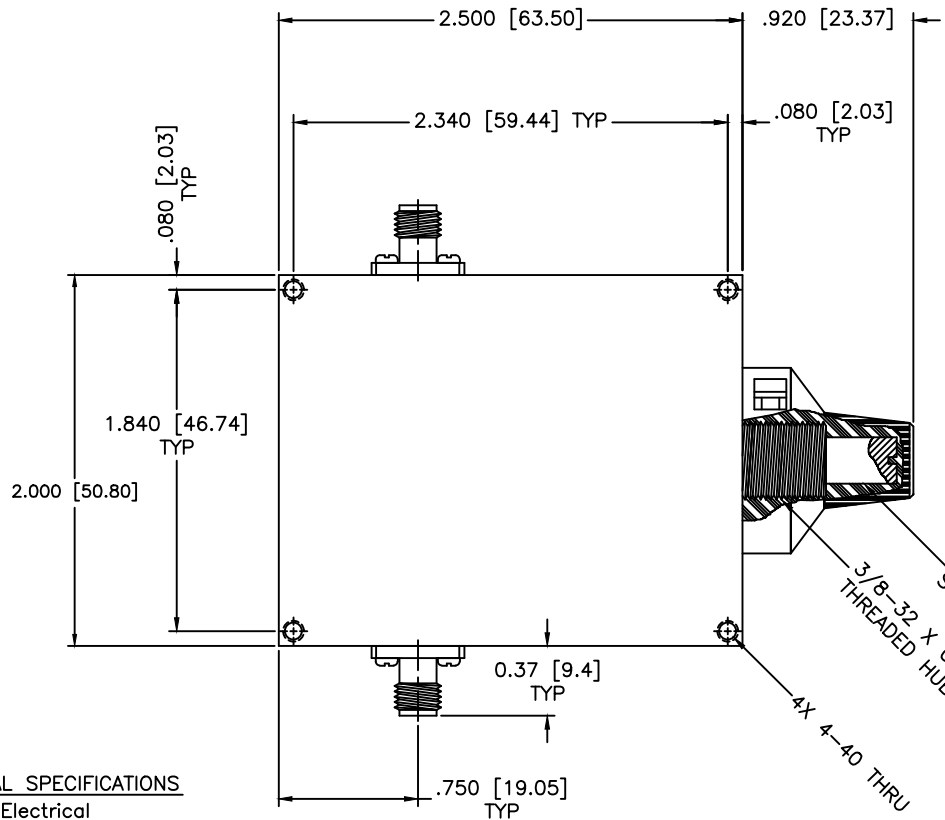


REVISIONS				
ZONE	REV	DESCRIPTION	DATE	APPROVED



GENERAL SPECIFICATIONS

Electrical
 RF Power: 7W Average, 3kW Peak
 RF Connectors: SMA Standard, Type N Available.
 Insertion Loss:
 to 18 GHz: 0.50dB Max.
 to 26 GHz: 0.75dB Max.
 to 40 GHz: 1.50dB Max.

Mechanical
 Standard, Turns Counting, Knob, Tape Drive, Motor
 Body: Aluminum
 Connectors: Stainless Steel
 Finish: Corrosion Resistant 316SS Epoxy Coating, Grey
 Weight: 5.2oz, 150gm
 Environmental
 Temp: -55°C to +110 °C
 Shock: 15 G's, 11ms, 1/2 sine
 Vibration: 3 G's overall
 Altitude: 40,000ft. Survival 25,000ft Operating

MATERIAL:	
DRAWN: Paiboon Luekhamhan	DATE: 08-09-2016
APPROVED: T. Nguyen	DATE: 08-09-2016

MCLI MICROWAVE COMMUNICATIONS LABORATORIES INC.
 7255 30TH AVE. N. SAINT PETERSBURG, FL 33710
 TEL: (727) 344-6254 FAX: (727) 381-6116
 http://WWW.MCLI.COM

UNLESS OTHERWISE SPECIFIED:
 TOLERANCES
 IN (INCHES) OR (mm) (MILLIMETERS)
 FRACTIONS: ± 1/64
 DECIMALS: ± 0.01 ± 0.005
 ANGLE: ± 1/2°

PROPRIETARY NOTICE:
 THE INFORMATION IN THIS DRAWING IS PROPRIETARY
 AND SHALL NOT BE USED OR DISCLOSED WITHOUT WRITTEN
 PERMISSION FROM MICROWAVE COMMUNICATIONS
 LABORATORIES INC. (MCLI)

THIRD ANGLE PROJECTION

SCALE:	N/A
SHEET:	N/A
DRAWING TITLE: CONTINUOUSLY VARIABLE ATTENUATOR	
PART NO. CA800/D, CVA800/D	
CAGE CODE: OD2L5	SIZE: A
REV: N/A	DWG NO. XXXXX
DO NOT SCALE THE DRAWING	