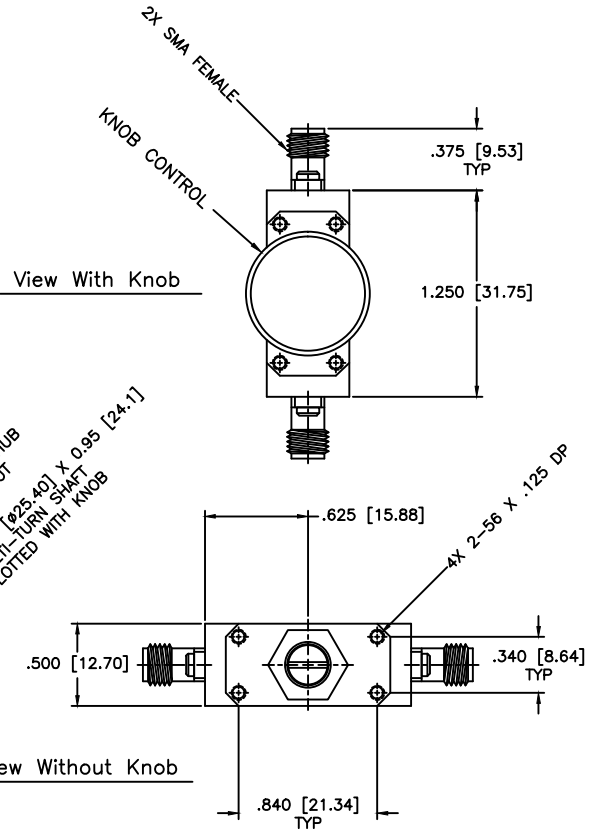
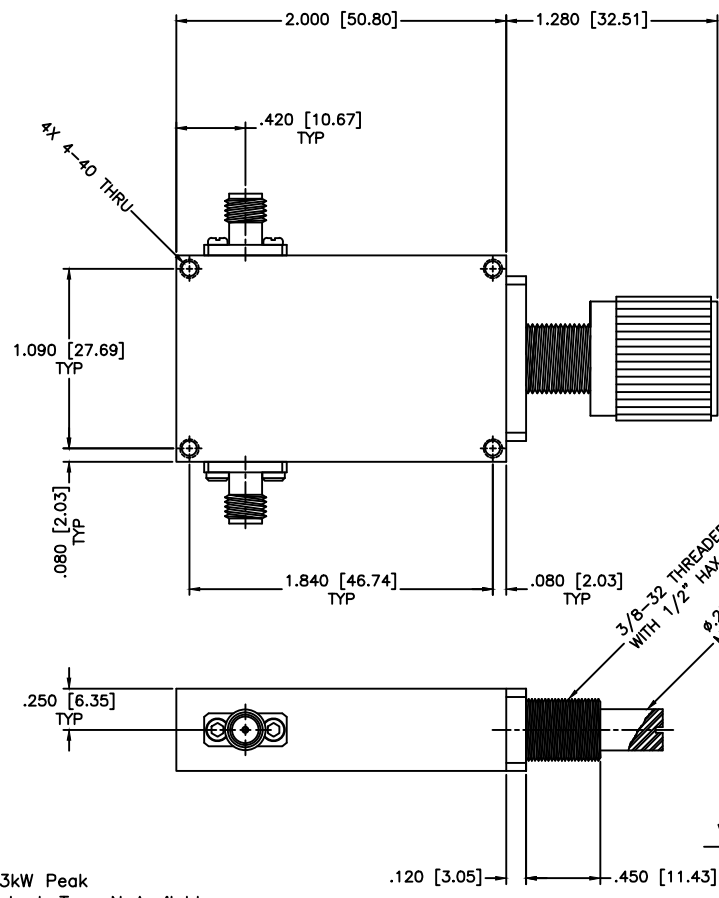


REVISIONS				
ZONE	REV	DESCRIPTION	DATE	APPROVED



**GENERAL SPECIFICATIONS**

Electrical  
 RF Power: 7W Average, 3kW Peak  
 RF Connectors: SMA Standard, Type N Available.  
 Insertion Loss:  
 to 18 GHz: 0.50dB Max.  
 to 26 GHz: 0.75dB Max.  
 to 40 GHz: 1.50dB Max.  
 Mechanical  
 Standard, Turns Counting, Knob, Tape Drive, Motor  
 Body: Aluminum  
 Connectors: Stainless Steel  
 Finish: Corrosion Resistant 316SS Epoxy Coating, Grey  
 Weight: 2.5oz, 71gm (Standard Model Only)  
 Environmental  
 Temp: -55°C to +110 °C  
 Shock: 15 G's, 11ms, 1/2 sine  
 Vibration: 3 G's overall  
 Altitude: 40,000ft. Survival 25,000ft Operating

MATERIAL:	
DRAWN: Paiboon Luekhamhan	DATE: 08-09-2016
APPROVED: T. Nguyen	DATE: 08-09-2016

	MICROWAVE COMMUNICATIONS LABORATORIES INC. 7255 30TH AVE. N. SAINT PETERSBURG, FL 33710 TEL: (727) 344-6254 FAX: (727) 381-6116 http://WWW.MCLI.COM	SCALE: N/A
	UNLESS OTHERWISE SPECIFIED: TOLERANCES IN (INCHES) OR [mm] (MILLIMETERS) FRACTIONS: ± 1/64 DECIMALS: ±.01 ±.005 ANGLE: ±1/2°	SHEET: N/A
DRAWING TITLE: <b>CONTINUOUSLY VARIABLE ATTENUATOR</b>		
PART NO. <b>CA700/DK, CVA700/DK</b>		
PROPRIETARY NOTICE: THE INFORMATION IN THIS DRAWING IS PROPRIETARY AND SHALL NOT BE USED OR DISCLOSED WITHOUT WRITTEN PERMISSION FROM MICROWAVE COMMUNICATIONS LABORATORIES INC. (MCLI)	CAGE CODE: <b>OD2L5</b>	SIZE: A REV: N/A DWG NO. <b>XXXXXX</b>
THIRD ANGLE PROJECTION 		DO NOT SCALE THE DRAWING