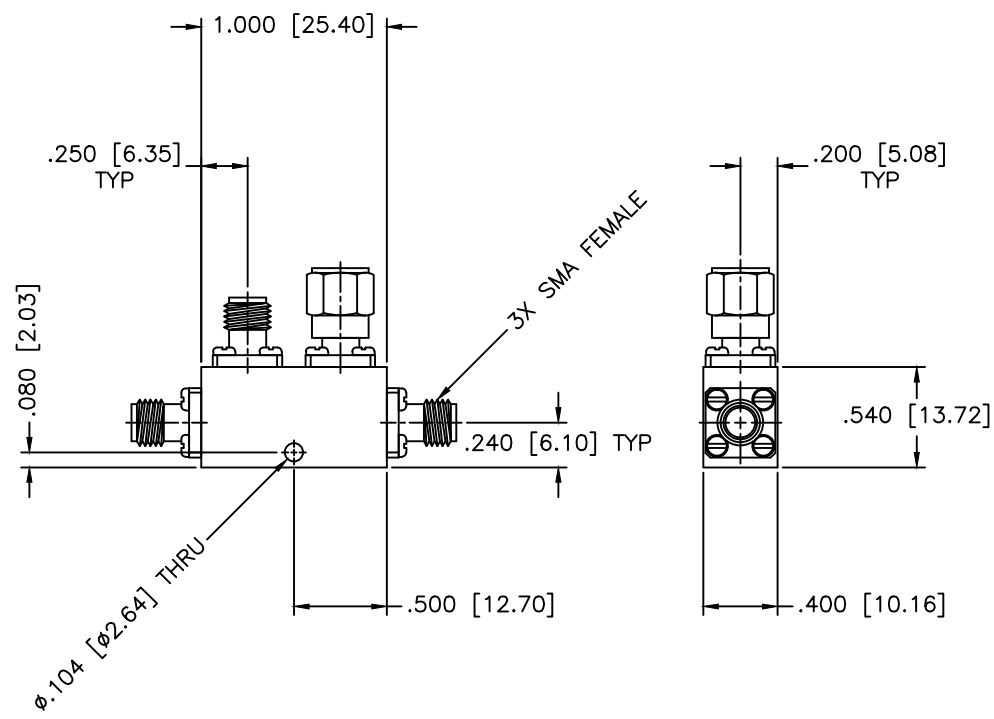


REVISIONS				
ZONE	REV	DESCRIPTION	DATE	APPROVED



SPECIFICATIONS

Frequency Range: 17.3–18.4 GHz
 Coupling: 20±1.0dB
 Frequency Sensitivity: ±0.5dB
 Insertion Loss: 0.75dB Max.
 Directivity: 10dB Min.
 VSWR: 1.80:1 Max.
 Power Incident, Reflected: 50W, 30W, 3kW Peak

MATERIAL:		MICROWAVE COMMUNICATIONS LABORATORIES INC. 7255 30TH AVE. N. SAINT PETERSBURG, FL 33710 TEL: (727) 344-6254 FAX: (727) 381-6116 http://WWW.MCLI.COM	SCALE:	N/A
			SHEET:	N/A
UNLESS OTHERWISE SPECIFIED: TOLERANCES IN (INCHES) OR [mm] (MILLIMETERS) FRACTIONS: ± 1/64 DECIMALS: ±.01 ±.005 ANGLE: ±1/2°		DRAWING TITLE: DIRECTIONAL COUPLER		
DRAWN: Paiboon Luekhamhan		PART NO. C95-20		
DATE: 07-15-1999		CAGE CODE: OD2L5		
APPROVED: T. Nguyen		DATE: 07-15-1999		
THIRD ANGLE PROJECTION		SIZE: A	REV: N/A	DWG NO. 81350
DO NOT SCALE THE DRAWING				