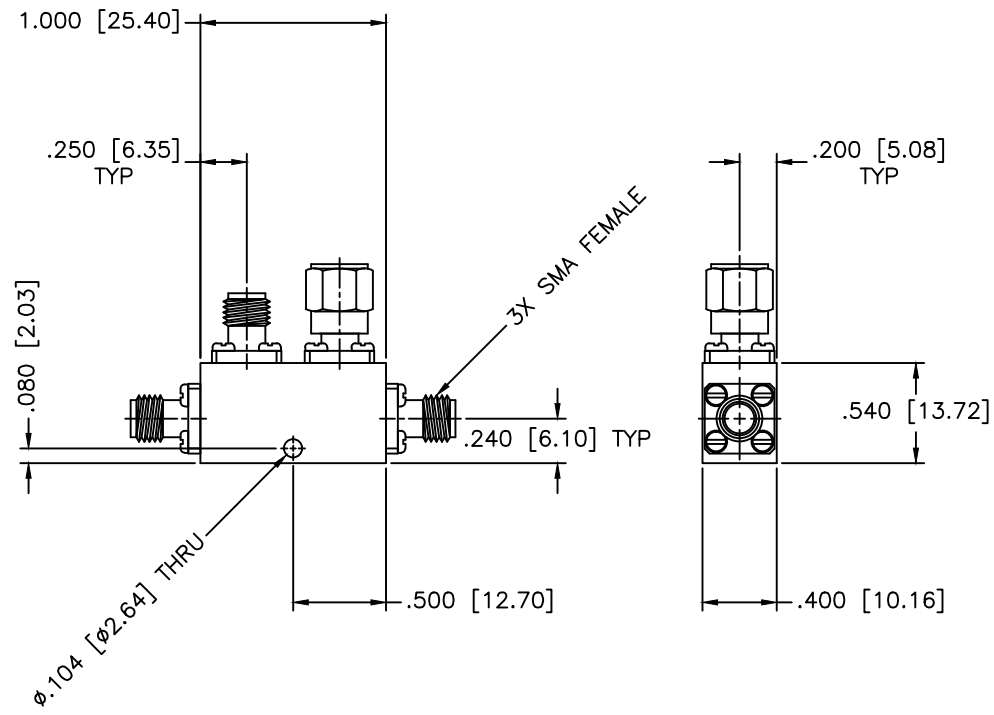


REVISIONS				
ZONE	REV	DESCRIPTION	DATE	APPROVED



SPECIFICATIONS

Frequency Range: 18–26.5 GHz
 Coupling: 20±1.2dB
 Frequency Sensitivity: ±0.7dB
 Insertion Loss: 0.8dB Max.
 Directivity: 11dB Min.
 VSWR: 1.70:1 Max.
 Power Incident. Reflected: 50W, 50W, 1kW Peak

MATERIAL:			MICROWAVE COMMUNICATIONS LABORATORIES INC. 7255 30TH AVE. N. SAINT PETERSBURG, FL 33710 TEL: (727) 344-6254 FAX: (727) 381-6116 http://WWW.MCLI.COM		SCALE:	N/A
			UNLESS OTHERWISE SPECIFIED: TOLERANCES IN (INCHES) OR [mm] (MILLIMETERS) FRACTIONS: ± 1/64 DECIMALS: ±.01 ±.005 ANGLE: ±1/2°		SHEET:	N/A
DRAWN:		DRAWING TITLE:		DIRECTIONAL COUPLER		
DATE:		PART NO.				
Paiboon Luekhamhan 03-05-1998		C9-20				
APPROVED:		CAGE CODE:		SIZE:	REV:	DWG NO.
T. Nguyen 03-05-1998		OD2L5		A	N/A	80972
		PROPRIETARY NOTICE: THE INFORMATION IN THIS DRAWING IS PROPRIETARY AND SHALL NOT BE USED OR DISCLOSED WITHOUT WRITTEN PERMISSION FROM MICROWAVE COMMUNICATIONS LABORATORIES INC. (MCLI)		DO NOT SCALE THE DRAWING		
		THIRD ANGLE PROJECTION 				