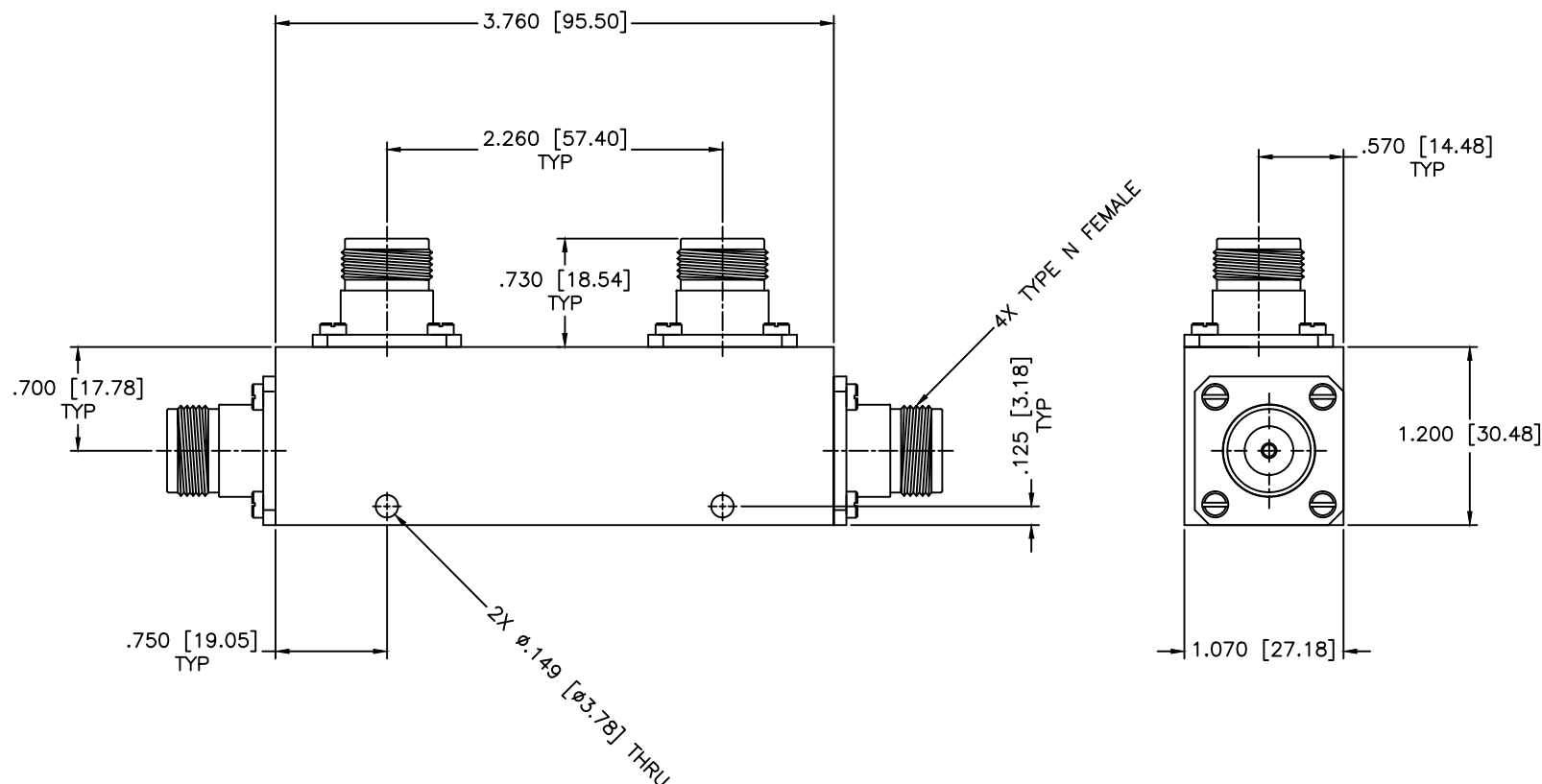


REVISIONS				
ZONE	REV	DESCRIPTION	Date	APPROVED



**SPECIFICATIONS**

- Frequency Range: 10–13 GHz
- Coupling: 10±1.25dB
- Frequency Sensitivity: ±0.85dB
- Insertion Loss: 1.4dB Max.
- Directivity: 14dB Min.
- VSWR: 1.65:1 Max.
- Power Incident, Reflected: 100W, 5W, 1kW Peak

MATERIAL:		<b>MICROWAVE COMMUNICATIONS LABORATORIES INC.</b> 7255 30TH AVE. N. SAINT PETERSBURG, FL 33710 TEL: (727) 344-6254 FAX: (727) 381-6116 http://WWW.MCLI.COM	SCALE: N/A
			SHEET: N/A
		UNLESS OTHERWISE SPECIFIED: TOLERANCES IN (INCHES) OR [mm] (MILLIMETERS) FRACTIONS: ± 1/64 DECIMALS: ±.01 ±.005 ANGLE: ±1/2°	DRAWING TITLE: DIRECTIONAL COUPLER
		<small>THIRD ANGLE PROJECTION</small> 	PART NO. C82-10/NF
DRAWN: Paiboon Luekhamhan	DATE: 03-11-2008	<small>PROPRIETARY NOTICE: THE INFORMATION IN THIS DRAWING IS PROPRIETARY AND SHALL NOT BE USED OR DISCLOSED WITHOUT WRITTEN PERMISSION FROM MICROWAVE COMMUNICATIONS LABORATORIES INC. (MCLI)</small>	CAGE CODE: OD2L5
APPROVED: T. Nguyen	DATE: 03-11-2008		SIZE: A    REV: N/A    DWG. NO. 83078 DO NOT SCALE THE DRAWING