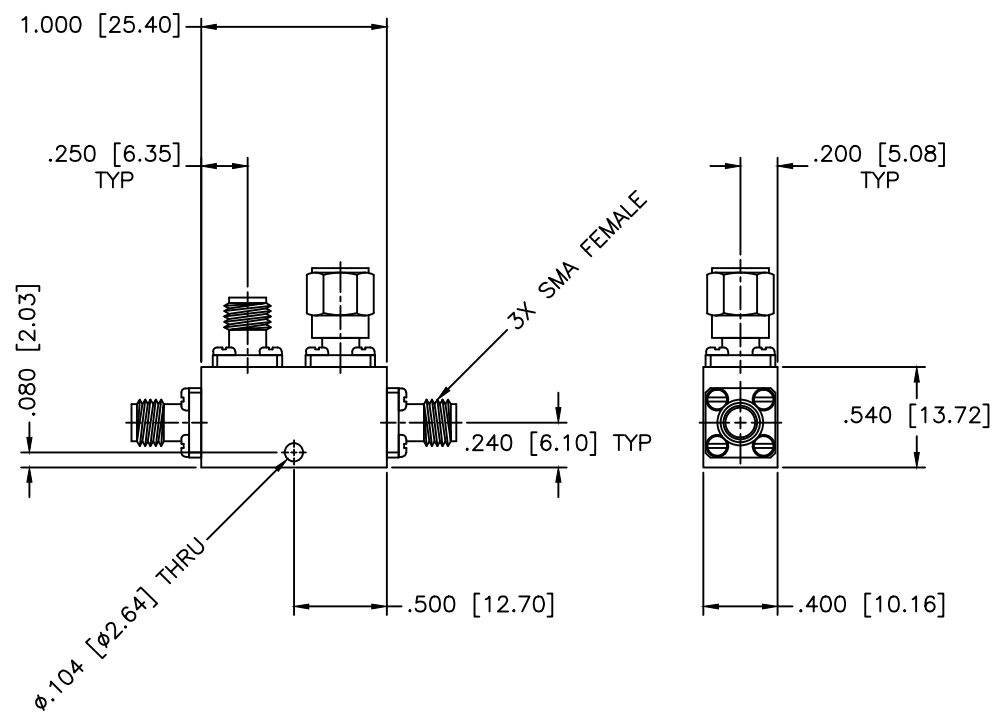


REVISIONS				
ZONE	REV	DESCRIPTION	DATE	APPROVED



SPECIFICATIONS

Frequency Range: 7.5–16 GHz
 Coupling: 6 ± 1.10 dB
 Frequency Sensitivity: ± 0.6 dB
 Insertion Loss: 2.0 dB Max.
 Directivity: 12 dB Min.
 VSWR: 1.40:1 Max.
 Power: 2W, 2kW Peak
 Operating Temperature: -55°C to $+85^{\circ}\text{C}$

MATERIAL:		MICROWAVE COMMUNICATIONS LABORATORIES INC. 7255 30TH AVE. N. SAINT PETERSBURG, FL 33710 TEL: (727) 344-6254 FAX: (727) 381-6116 http://WWW.MCLI.COM	SCALE:	N/A
			SHEET:	N/A
		UNLESS OTHERWISE SPECIFIED: TOLERANCES IN (INCHES) OR [mm] (MILLIMETERS) FRACTIONS: $\pm 1/64$ DECIMALS: $\pm .02 \pm .008$ ANGLE: $\pm 1/2^{\circ}$	DRAWING TITLE: DIRECTIONAL COUPLER	
		PROPRIETARY NOTICE: THE INFORMATION IN THIS DRAWING IS PROPRIETARY AND SHALL NOT BE USED OR DISCLOSED WITHOUT WRITTEN PERMISSION FROM MICROWAVE COMMUNICATIONS LABORATORIES INC. (MCLI)	PART NO. C7-6	
DRAWN: Paiboon Luekhamhan	DATE: 11-12-1998	THIRD ANGLE PROJECTION 	CAGE CODE:	SIZE: A
APPROVED: T. Nguyen	DATE: 11-12-1998		OD2L5	REV: N/A
			DO NOT SCALE THE DRAWING	