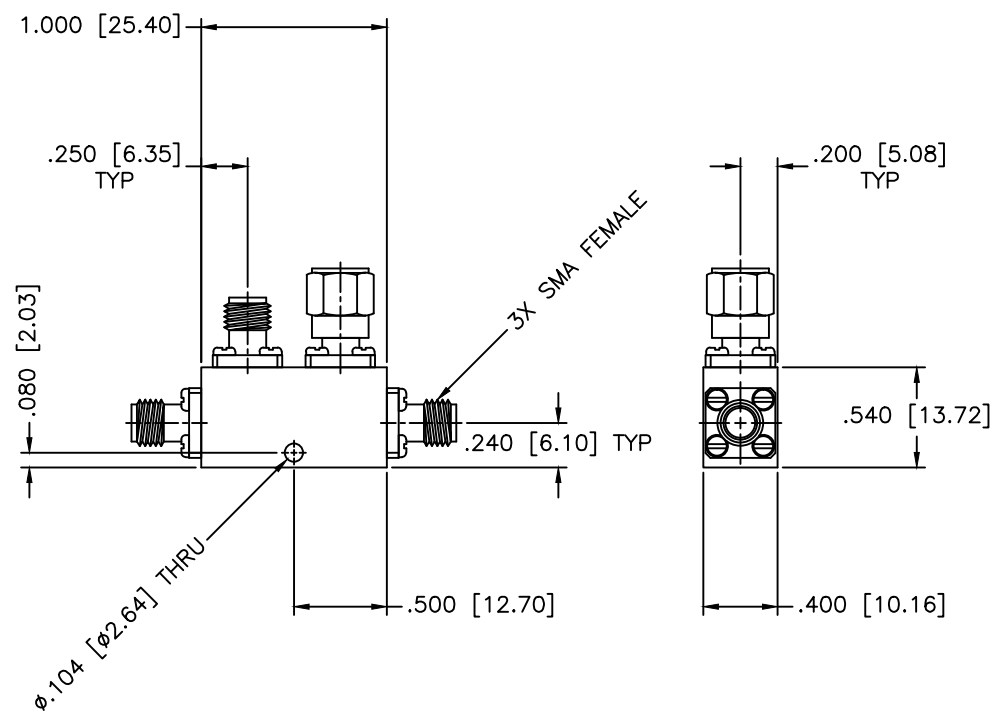


REVISIONS				
ZONE	REV	DESCRIPTION	DATE	APPROVED



SPECIFICATIONS

- Frequency Range: 7.5–16 GHz
- Coupling: 20 ± 1.25 dB
- Frequency Sensitivity: ± 0.75 dB
- Insertion Loss: 0.5 dB Max.
- Directivity: 15 dB Min.
- VSWR: 1.40:1 Max.
- Power: 50W, 3kW Peak

MATERIAL:			MICROWAVE COMMUNICATIONS LABORATORIES INC. 7255 30TH AVE. N. SAINT PETERSBURG, FL 33710 TEL: (727) 344-6254 FAX: (727) 381-6116 http://WWW.MCLI.COM		SCALE:	N/A
			UNLESS OTHERWISE SPECIFIED: TOLERANCES IN (INCHES) OR [mm] (MILLIMETERS) FRACTIONS: $\pm 1/64$ DECIMALS: $\pm 0.01 \pm 0.005$ ANGLE: $\pm 1/2^\circ$		DRAWING TITLE:	DIRECTIONAL COUPLER
DRAWN:		DATE:		PART NO.		C7-20
Paiboon Luekhamhan		11-12-1998		CAGE CODE:		
APPROVED:		DATE:		SIZE:		REV:
T. Nguyen		11-12-1998		A		N/A
		PROPRIETARY NOTICE: THE INFORMATION IN THIS DRAWING IS PROPRIETARY AND SHALL NOT BE USED OR DISCLOSED WITHOUT WRITTEN PERMISSION FROM MICROWAVE COMMUNICATIONS LABORATORIES INC. (MCLI)		DWG NO. 80424		
		THIRD ANGLE PROJECTION 		DO NOT SCALE THE DRAWING		