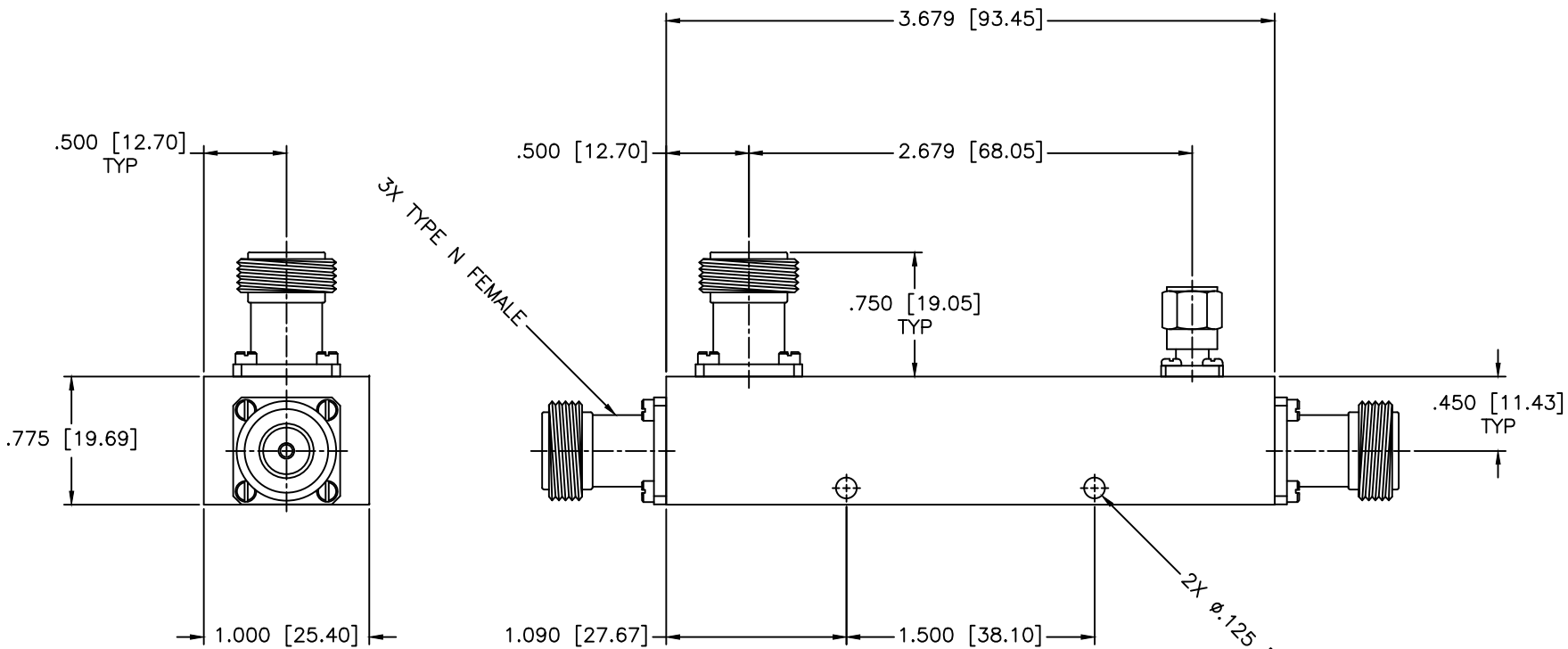


REVISIONS				
ZONE	REV	DESCRIPTION	DATE	APPROVED



SPECIFICATIONS

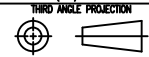
Frequency Range: 225–400 MHz
 Coupling: 20±1.0dB
 Frequency Sensitivity: ±0.75dB
 Insertion Loss: 0.2dB Max.
 Directivity: 22dB Min.
 VSWR: 1.20:1 Max.
 Power Incident, Reflected: 50W, 50W, 1kW Peak

MATERIAL:			MICROWAVE COMMUNICATIONS LABORATORIES INC. 7255 30TH AVE. N. SAINT PETERSBURG, FL 33710 TEL: (727) 344-6254 FAX: (727) 381-6116 http://WWW.MCLI.COM		SCALE: N/A
UNLESS OTHERWISE SPECIFIED: TOLERANCES IN (INCHES) OR [mm] (MILLIMETERS) FRACTIONS: ± 1/64 DECIMALS: ±.01 ±.005 ANGLE: ±1/2°			DRAWING TITLE: DIRECTIONAL COUPLER		SHEET: N/A
DRAWN: Paiboon Luekhamhan		DATE: 09-10-1998		PART NO. C61-20/NF	
APPROVED: T. Nguyen		DATE: 09-10-1998		CAGE CODE: OD2L5	SIZE: A REV: N/A DWG NO. 81138 DO NOT SCALE THE DRAWING



UNLESS OTHERWISE SPECIFIED:
 TOLERANCES
 IN (INCHES) OR [mm] (MILLIMETERS)
 FRACTIONS: ± 1/64
 DECIMALS: ±.01 ±.005
 ANGLE: ±1/2°

PROPRIETARY NOTICE:
 THE INFORMATION IN THIS DRAWING IS PROPRIETARY
 AND SHALL NOT BE USED OR DISCLOSED WITHOUT WRITTEN
 PERMISSION FROM MICROWAVE COMMUNICATIONS
 LABORATORIES INC. (MCLI)



DRAWING TITLE: DIRECTIONAL COUPLER
 PART NO. C61-20/NF

CAGE CODE: OD2L5 SIZE: A REV: N/A DWG NO. 81138

DO NOT SCALE THE DRAWING