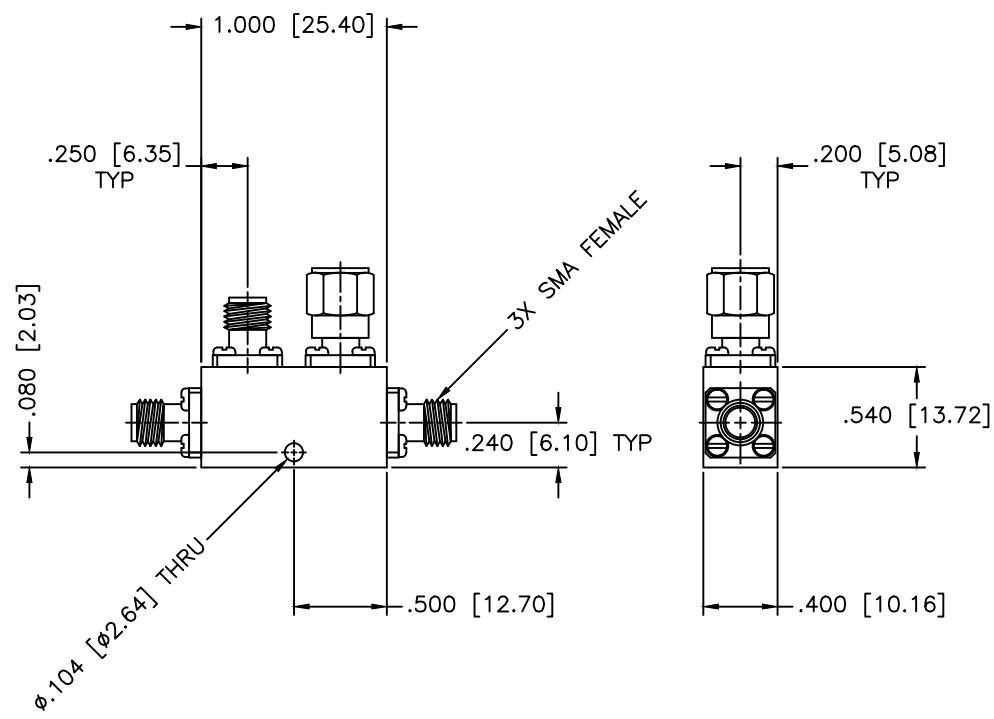


REVISIONS				
ZONE	REV	DESCRIPTION	DATE	APPROVED



**SPECIFICATIONS**

Frequency Range: 7–12.4 GHz  
 Coupling:  $6 \pm 1.0$  dB  
 Frequency Sensitivity:  $\pm 0.5$  dB  
 Insertion Loss: 2.0 dB Max.  
 Directivity: 15 dB Min.  
 VSWR: 1.40:1 Max.  
 Power Incident, Reflected: 50W, 2W, 3kW Peak

MATERIAL:		MICROWAVE COMMUNICATIONS LABORATORIES INC. 7255 30TH AVE. N. SAINT PETERSBURG, FL 33710 TEL: (727) 344-6254 FAX: (727) 381-6116 http://WWW.MCLI.COM	SCALE:	N/A
			SHEET:	N/A
		UNLESS OTHERWISE SPECIFIED: TOLERANCES IN (INCHES) OR [mm] (MILLIMETERS) FRACTIONS: $\pm 1/64$ DECIMALS: $\pm 0.01 \pm 0.005$ ANGLE: $\pm 1/2^\circ$	DRAWING TITLE: <b>DIRECTIONAL COUPLER</b>	
		PROPRIETARY NOTICE: THE INFORMATION IN THIS DRAWING IS PROPRIETARY AND SHALL NOT BE USED OR DISCLOSED WITHOUT WRITTEN PERMISSION FROM MICROWAVE COMMUNICATIONS LABORATORIES INC. (MCLI)	PART NO. <b>C6-6</b>	
DRAWN:	DATE:	THIRD ANGLE PROJECTION	CAGE CODE:	SIZE:
Paiboon Luekhamhan	09-30-1999		OD2L5	A
APPROVED:	DATE:		REV:	DWG NO.
T. Nguyen	09-30-1999		N/A	80419
			DO NOT SCALE THE DRAWING	