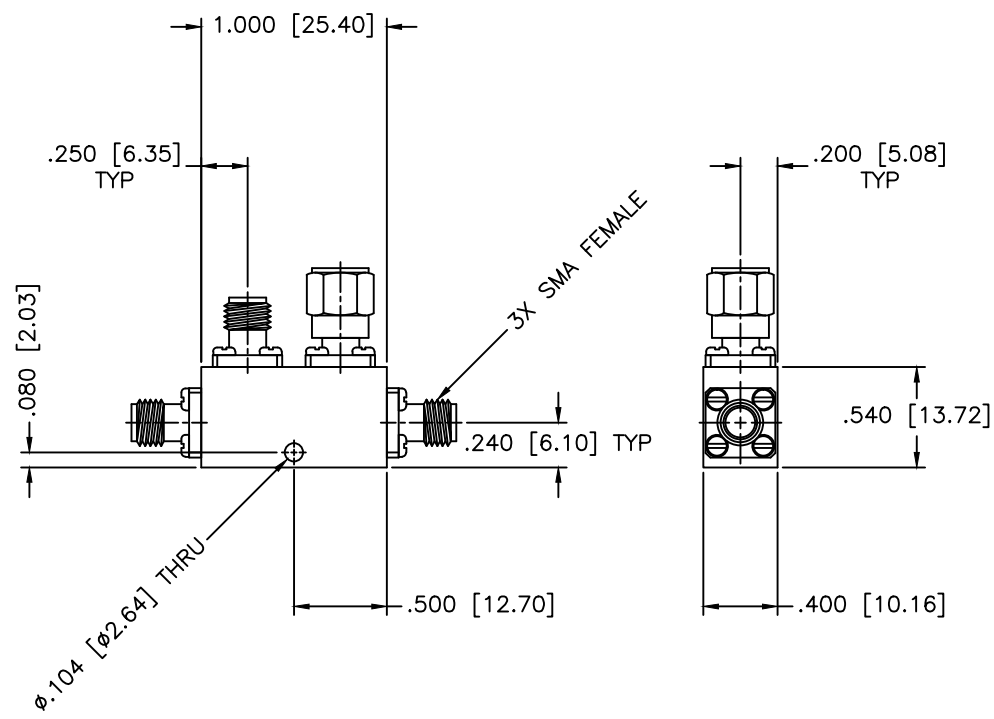


REVISIONS				
ZONE	REV	DESCRIPTION	DATE	APPROVED



SPECIFICATIONS

Frequency Range: 7–12.4 GHz
 Coupling: 10 ± 1.25 dB
 Frequency Sensitivity: ± 0.5 dB
 Insertion Loss: 1.0 dB Max.
 Directivity: 17 dB Min.
 VSWR: 1.40:1 Max.
 Power Incident, Reflected: 50W, 5W, 3kW Peak
 Operating Temperature: -55°C to $+85^{\circ}\text{C}$

MATERIAL:			MICROWAVE COMMUNICATIONS LABORATORIES INC. 7255 30TH AVE. N. SAINT PETERSBURG, FL 33710 TEL: (727) 344-6254 FAX: (727) 381-6116 http://WWW.MCLI.COM		SCALE:	N/A
			UNLESS OTHERWISE SPECIFIED: TOLERANCES IN (INCHES) OR [mm] (MILLIMETERS) FRACTIONS: $\pm 1/64$ DECIMALS: $\pm .02 \pm .008$ ANGLE: $\pm 1/2^{\circ}$	DRAWING TITLE:		SHEET:
			DIRECTIONAL COUPLER			
			PART NO.		C6-10	
DRAWN:	DATE:	PROPRIETARY NOTICE: THE INFORMATION IN THIS DRAWING IS PROPRIETARY AND SHALL NOT BE USED OR DISCLOSED WITHOUT WRITTEN PERMISSION FROM MICROWAVE COMMUNICATIONS LABORATORIES INC. (MCLI)	CAGE CODE:	SIZE:	REV:	DWG NO.
APPROVED:	DATE:			OD2L5	A	N/A
				DO NOT SCALE THE DRAWING		