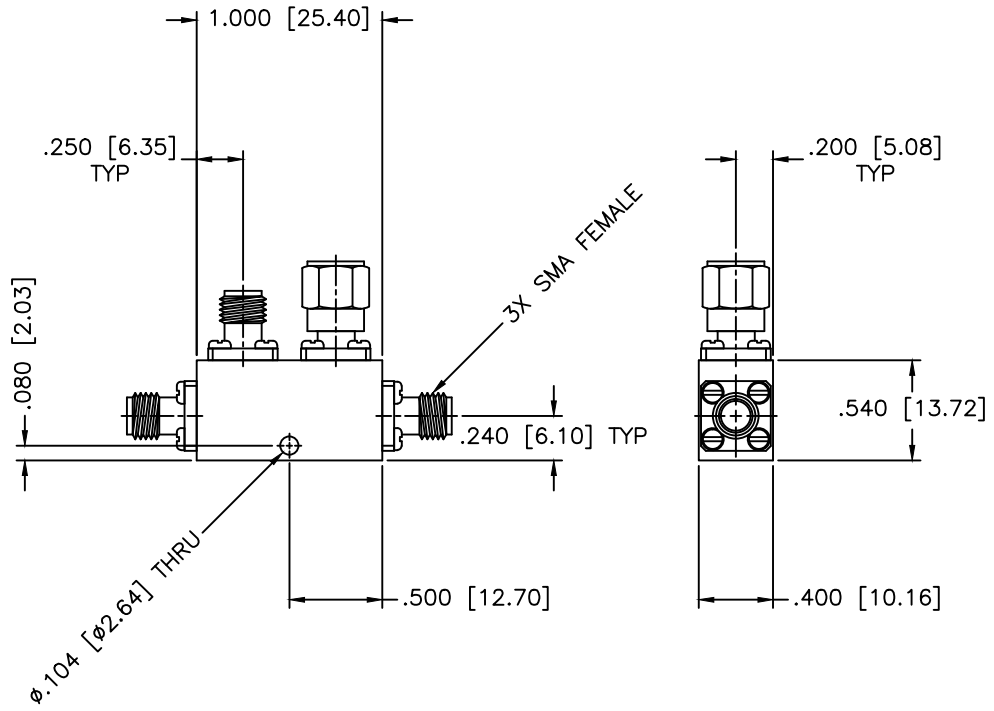


REVISIONS				
ZONE	REV	DESCRIPTION	DATE	APPROVED



**SPECIFICATIONS**

Frequency Range: 17–22 GHz  
 Coupling: 6±1.0dB  
 Frequency Sensitivity: ±.5dB  
 Insertion Loss: 2.5dB Max.  
 Directivity: 10dB Min.  
 VSWR: 1.80:1 Max.  
 Power Incident, Reflected: 50W, 2W, 3kW Peak

MATERIAL:			MICROWAVE COMMUNICATIONS LABORATORIES INC. 7255 30TH AVE. N. SAINT PETERSBURG, FL 33710 TEL: (727) 344-6254 FAX: (727) 381-6116 http://WWW.MCLI.COM		SCALE:	N/A
			UNLESS OTHERWISE SPECIFIED: TOLERANCES IN (INCHES) OR [mm] (MILLIMETERS) FRACTIONS: ± 1/64 DECIMALS: ±.01 ±.005 ANGLE: ±1/2°		SHEET:	N/A
DRAWN:		DRAWING TITLE:		DIRECTIONAL COUPLER		
DATE:		PART NO.:				
Paiboon Luekhamhan 10-01-1999		C54-6				
APPROVED:		CAGE CODE:		SIZE:	REV:	DWG NO.:
T. Nguyen 10-01-1999		OD2L5		A	N/A	80405
		THIRD ANGLE PROJECTION 		DO NOT SCALE THE DRAWING		