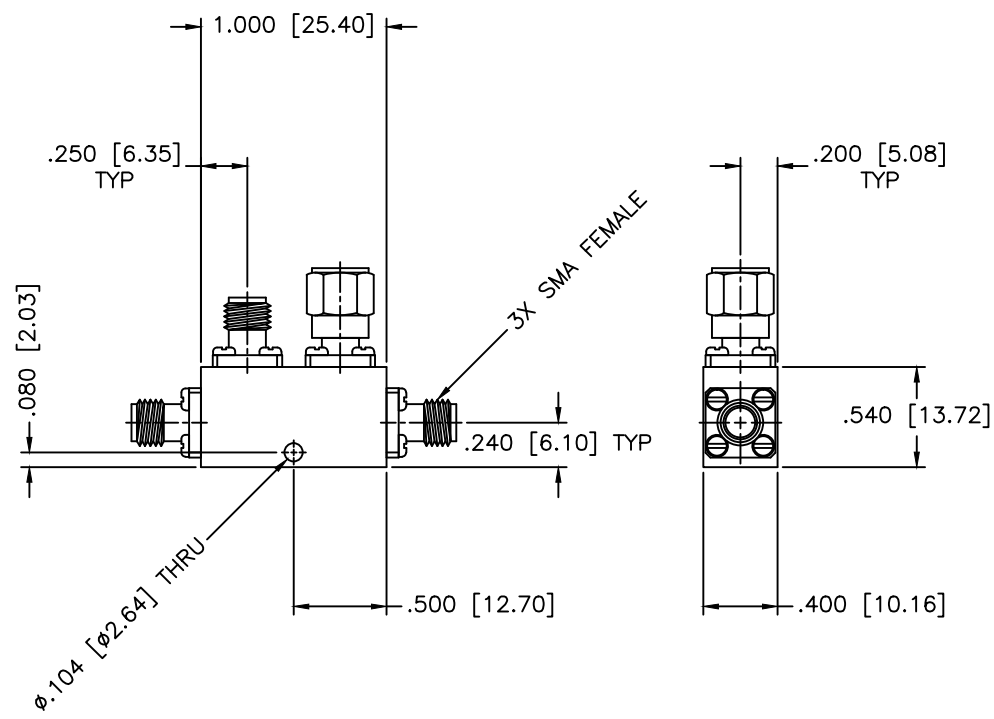


REVISIONS				
ZONE	REV	DESCRIPTION	DATE	APPROVED



SPECIFICATIONS

Frequency Range: 4–8 GHz
 Coupling: 6 ± 1.25 dB
 Frequency Sensitivity: ± 0.6 dB
 Insertion Loss: 1.9 dB Max.
 Directivity: 18 dB Min.
 VSWR: 1.30:1 Max.
 Power Incident, Reflected: 50W, 2W, 3kW Peak

MATERIAL:		MICROWAVE COMMUNICATIONS LABORATORIES INC. 7255 30TH AVE. N. SAINT PETERSBURG, FL 33710 TEL: (727) 344-6254 FAX: (727) 381-6116 http://WWW.MCLI.COM	SCALE:	N/A
			SHEET:	N/A
UNLESS OTHERWISE SPECIFIED: TOLERANCES IN (INCHES) OR [mm] (MILLIMETERS) FRACTIONS: $\pm 1/64$ DECIMALS: $\pm 0.01 \pm 0.005$ ANGLE: $\pm 1/2^\circ$		DRAWING TITLE:		
		DIRECTIONAL COUPLER		
DRAWN:		PROPRIETARY NOTICE: THE INFORMATION IN THIS DRAWING IS PROPRIETARY AND SHALL NOT BE USED OR DISCLOSED WITHOUT WRITTEN PERMISSION FROM MICROWAVE COMMUNICATIONS LABORATORIES INC. (MCLI)	PART NO.	
DATE:		THIRD ANGLE PROJECTION 	C5-6	
DRAWN: Paiboon Luekhamhan			DATE: 04-21-1999	
APPROVED:		CAGE CODE:	SIZE:	REV:
DATE: 04-21-1999		OD2L5	A	N/A
		DO NOT SCALE THE DRAWING		DWG NO.
				80406