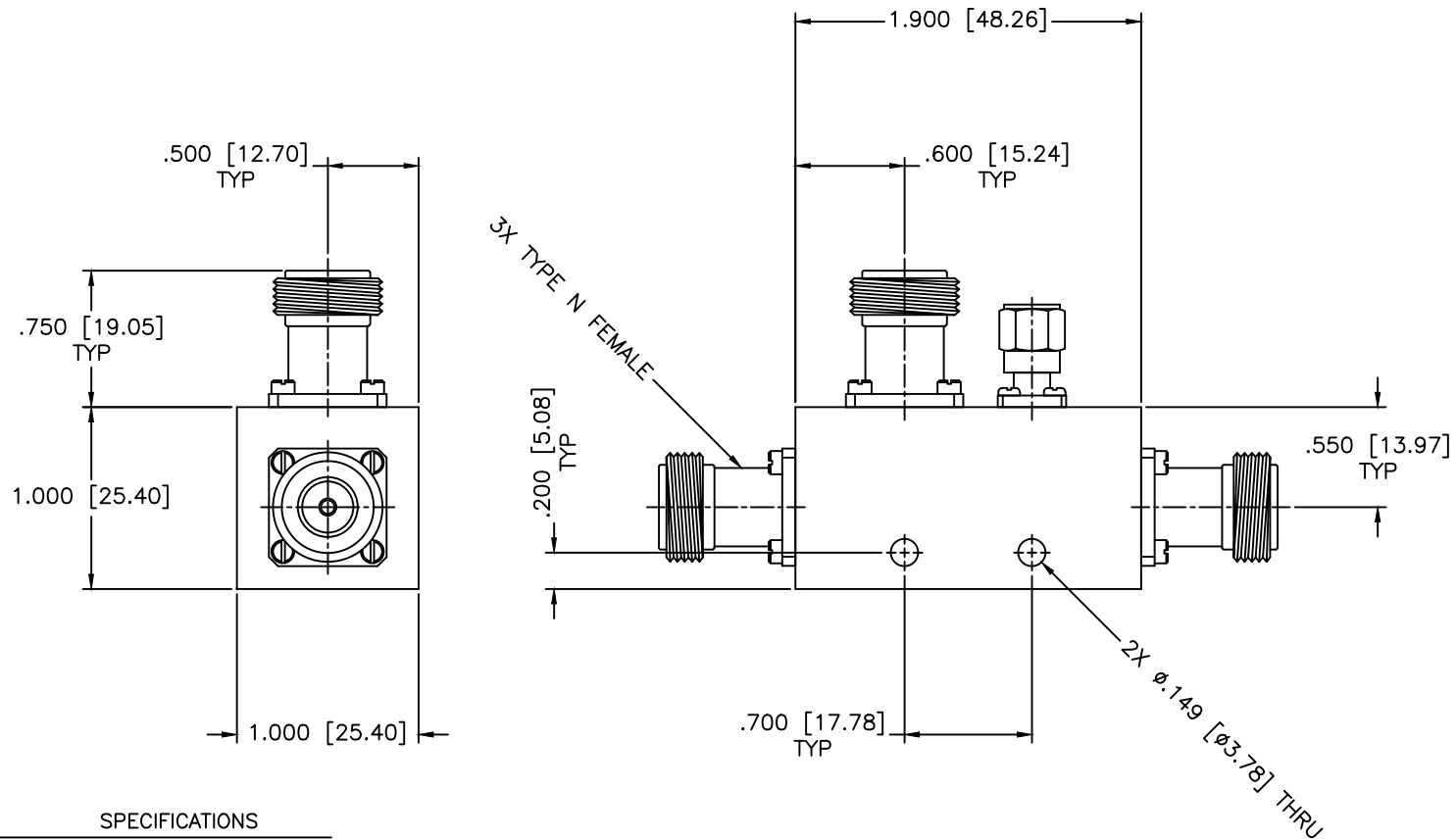


REVISIONS				
ZONE	REV	DESCRIPTION	DATE	APPROVED



SPECIFICATIONS

Frequency Range: 4–8 GHz
 Coupling: 30±1.25dB
 Frequency Sensitivity: ±0.85dB
 Insertion Loss: 0.35dB Max.
 Directivity: 17dB Min.
 VSWR: 1.50:1 Max.
 Power Incident, Reflected: 50W, 50W, 3kW Peak
 Operating Temperature Range: -55°C to +85°C

MATERIAL:	
DRAWN: Paiboon Luekthamhan	DATE: 11-12-1997
APPROVED: T. Nguyen	DATE: 11-12-1997

MCLI MICROWAVE COMMUNICATIONS LABORATORIES INC. 7255 30TH AVE. N. SAINT PETERSBURG, FL 33710 TEL: (727) 344-6254 FAX: (727) 381-6116 http://WWW.MCLI.COM	SCALE:	N/A
	SHEET:	N/A
UNLESS OTHERWISE SPECIFIED: TOLERANCES IN (INCHES) OR [mm] (MILLIMETERS) FRACTIONS: ± 1/64 DECIMALS: ±.01 ±.005 ANGLE: ±1/2°	DRAWING TITLE: DIRECTIONAL COUPLER	
PROPRIETARY NOTICE: THE INFORMATION IN THIS DRAWING IS PROPRIETARY AND SHALL NOT BE USED OR DISCLOSED WITHOUT WRITTEN PERMISSION FROM MICROWAVE COMMUNICATIONS LABORATORIES INC. (MCLI)	PART NO. C5-30/NF	
CAGE CODE: OD2L5	SIZE: A	REV: N/A
DO NOT SCALE THE DRAWING		DWG NO. 80413

