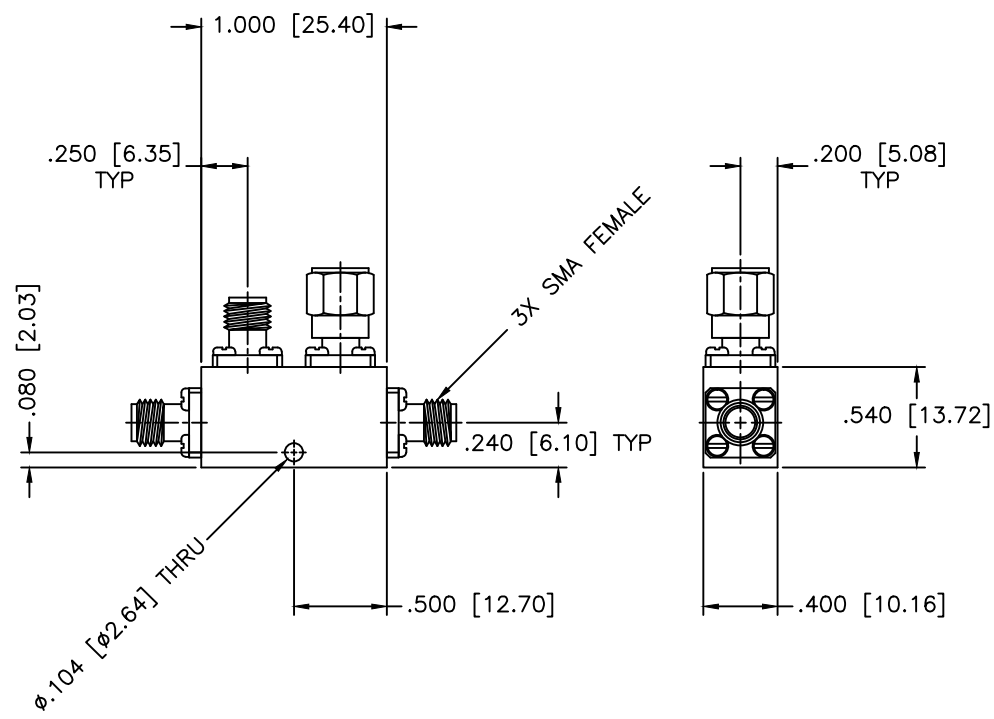


REVISIONS				
ZONE	REV	DESCRIPTION	DATE	APPROVED



**SPECIFICATIONS**

Frequency Range: 4–8 GHz  
 Coupling:  $30 \pm 1.25$  dB  
 Frequency Sensitivity:  $\pm 0.75$  dB  
 Insertion Loss: 0.25 dB Max.  
 Directivity: 20 dB Min.  
 VSWR: 1.30:1 Max.  
 Power Incident, Reflected: 50W, 50W, 3kW Peak

<b>MATERIAL:</b>  Body: Aluminum. Connectors: MIL-C-39012  Finish: Connectors: Passivated Body: Blue per MIL-C-22750		MICROWAVE COMMUNICATIONS LABORATORIES INC. 7255 30TH AVE. N. SAINT PETERSBURG, FL 33710 TEL: (727) 344-6254 FAX: (727) 381-6116 <a href="http://WWW.MCLI.COM">http://WWW.MCLI.COM</a>	SCALE: N/A
<b>UNLESS OTHERWISE SPECIFIED:</b> TOLERANCES IN (INCHES) OR [mm] (MILLIMETERS) FRACTIONS: $\pm 1/64$ DECIMALS: $\pm 0.01 \pm 0.005$ ANGLE: $\pm 1/2^\circ$			DRAWING TITLE: <b>DIRECTIONAL COUPLER</b>  PART NO. <b>C5-30-E</b>
DRAWN: Paiboon	DATE: 11-14-2018	PROPRIETARY NOTICE: THE INFORMATION IN THIS DRAWING IS PROPRIETARY AND SHALL NOT BE USED OR DISCLOSED WITHOUT WRITTEN PERMISSION FROM MICROWAVE COMMUNICATIONS LABORATORIES INC. (MCLI)  THIRD ANGLE PROJECTION 	SHEET: N/A
APPROVED: T. Nguyen	DATE: 11-14-2018		CAGE CODE: OD2L5
			DO NOT SCALE THE DRAWING