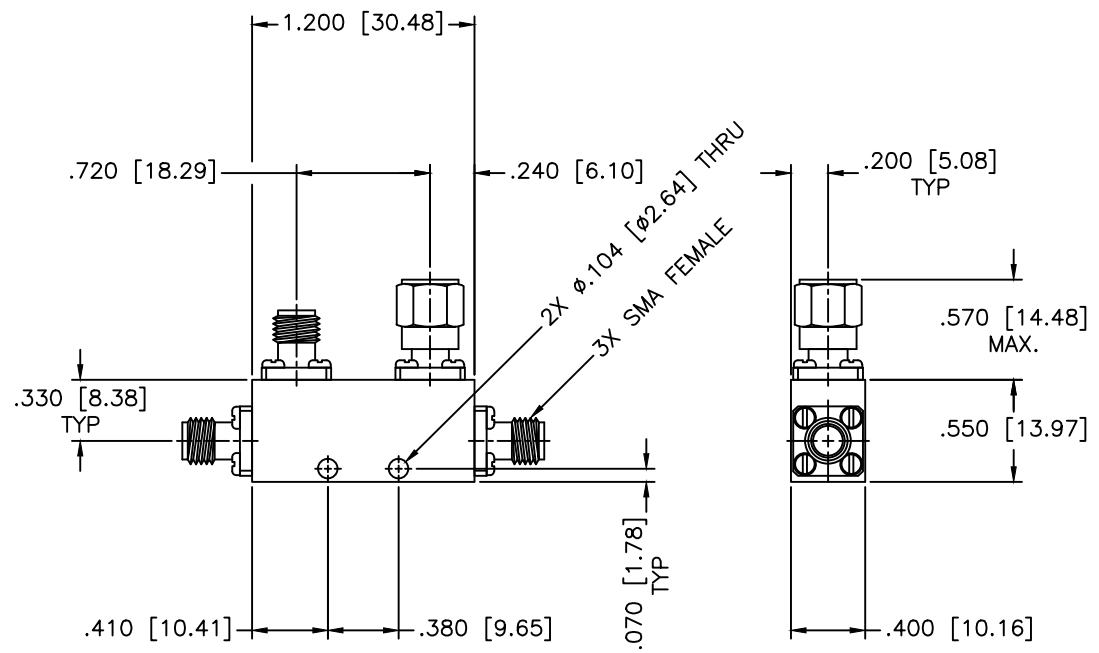


REVISIONS				
ZONE	REV	DESCRIPTION	DATE	APPROVED



SPECIFICATIONS

- Frequency Range: 4–8 GHz
- Coupling: 10±0.5dB
- Frequency Sensitivity: ±0.75dB
- Insertion Loss: 0.25dB Max.
- Directivity: 20dB Min.
- VSWR: 1.30:1 Max.
- Power Incident, Reflected: 50W, 5W, 3kW Peak

MATERIAL:			MICROWAVE COMMUNICATIONS LABORATORIES INC. 7255 30TH AVE. N. SAINT PETERSBURG, FL 33710 TEL: (727) 344-6254 FAX: (727) 381-6116 http://WWW.MCLI.COM		SCALE:	N/A
			UNLESS OTHERWISE SPECIFIED: TOLERANCES IN (INCHES) OR [mm] (MILLIMETERS) FRACTIONS: ± 1/64 DECIMALS: ±.01 ±.005 ANGLE: ±1/2°		DRAWING TITLE:	DIRECTIONAL COUPLER
DRAWN:		DATE:		PART NO.		C5-10-S
Pai boon Luekhamhan		03-17-2022		CAGE CODE:		OD2L5
APPROVED:		DATE:		SIZE:	REV:	DWG NO.
T. Nguyen		03-17-2022		A	N/A	86962
		PROPRIETARY NOTICE: THE INFORMATION IN THIS DRAWING IS PROPRIETARY AND SHALL NOT BE USED OR DISCLOSED WITHOUT WRITTEN PERMISSION FROM MICROWAVE COMMUNICATIONS LABORATORIES INC. (MCLI)		DO NOT SCALE THE DRAWING		
		THIRD ANGLE PROJECTION				