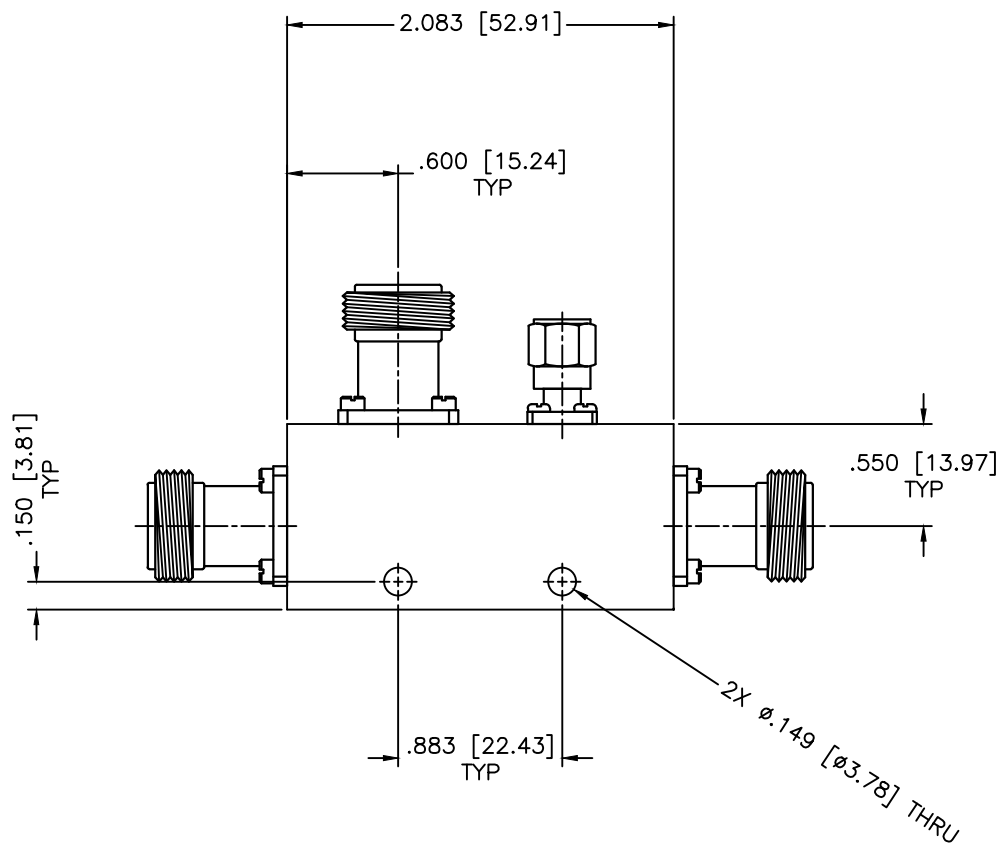
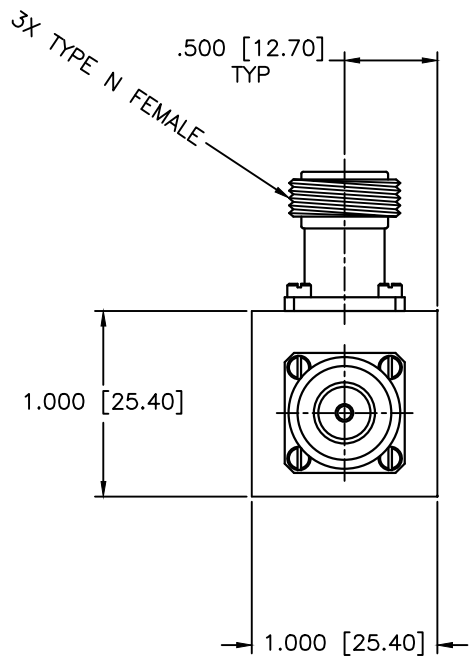


REVISIONS				
ZONE	REV	DESCRIPTION	DATE	APPROVED



SPECIFICATIONS

Frequency Range: 2.4–2.5 GHz
 VSWR: 1.25:1 Max.
 Coupling: 10±1.0dB
 Insertion Loss: 0.8dB Max.
 Directivity: 20dB Min.
 Frequency Sensitivity: ±0.75dB
 Power Incident, Reflected: 50W, 5W, 1kW Peak

MATERIAL:			MICROWAVE COMMUNICATIONS LABORATORIES INC. 7255 30TH AVE. N. SAINT PETERSBURG, FL 33710 TEL: (727) 344-6254 FAX: (727) 381-6116 http://WWW.MCLI.COM		SCALE:	N/A
			UNLESS OTHERWISE SPECIFIED: TOLERANCES IN (INCHES) OR [mm] (MILLIMETERS) FRACTIONS: ± 1/64 DECIMALS: ±.01 ±.005 ANGLE: ±1/2°		DRAWING TITLE:	DIRECTIONAL COUPLER
DRAWN:		DATE:		PART NO.		C47-10/NF
Pai boon Luekhamhan		08-30-2006		CAGE CODE:		
APPROVED:		DATE:		SIZE:		82639
T. Nguyen		08-30-2006		A		
		PROPRIETARY NOTICE: THE INFORMATION IN THIS DRAWING IS PROPRIETARY AND SHALL NOT BE USED OR DISCLOSED WITHOUT WRITTEN PERMISSION FROM MICROWAVE COMMUNICATIONS LABORATORIES INC. (MCLI)		REV:		N/A
		THIRD ANGLE PROJECTION 		DWG NO.		
				DO NOT SCALE THE DRAWING		